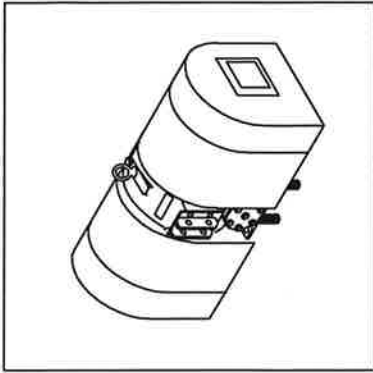




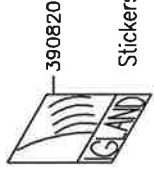
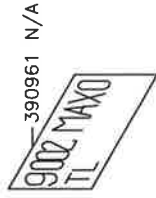
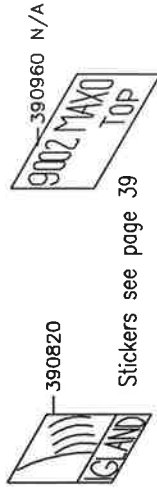
**IGLAND 9002 Maxo
TL / TLP**

Parts Catalogue

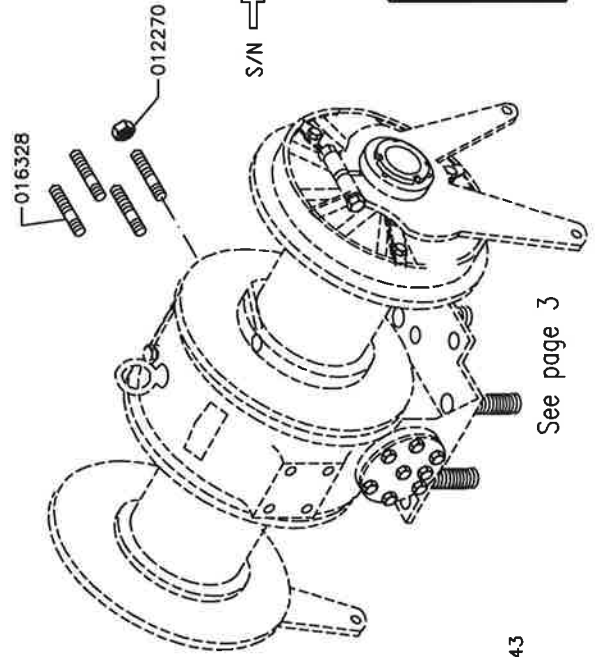
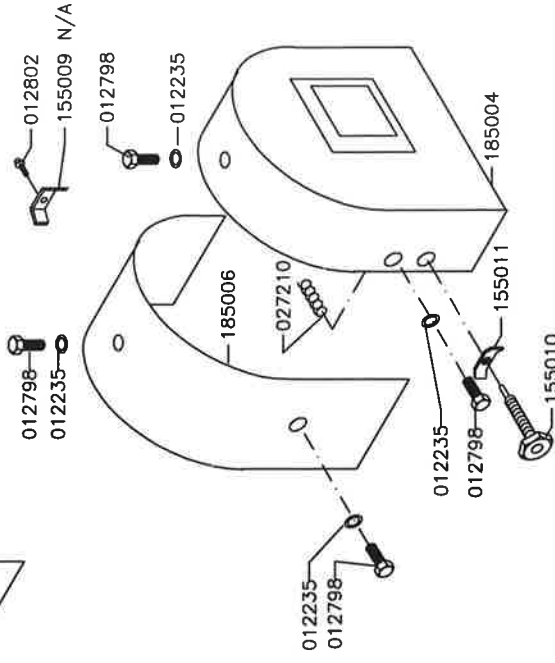
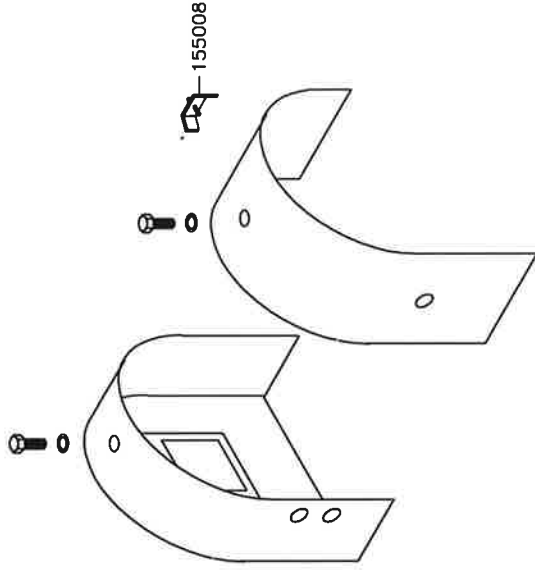
IGLAND 9002 Maxo TL, TLP IGLAND 9002 Maxo Top



”HEAD”

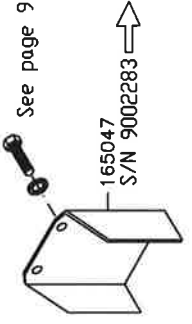
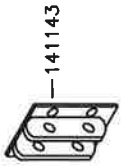


Stickers see page 39



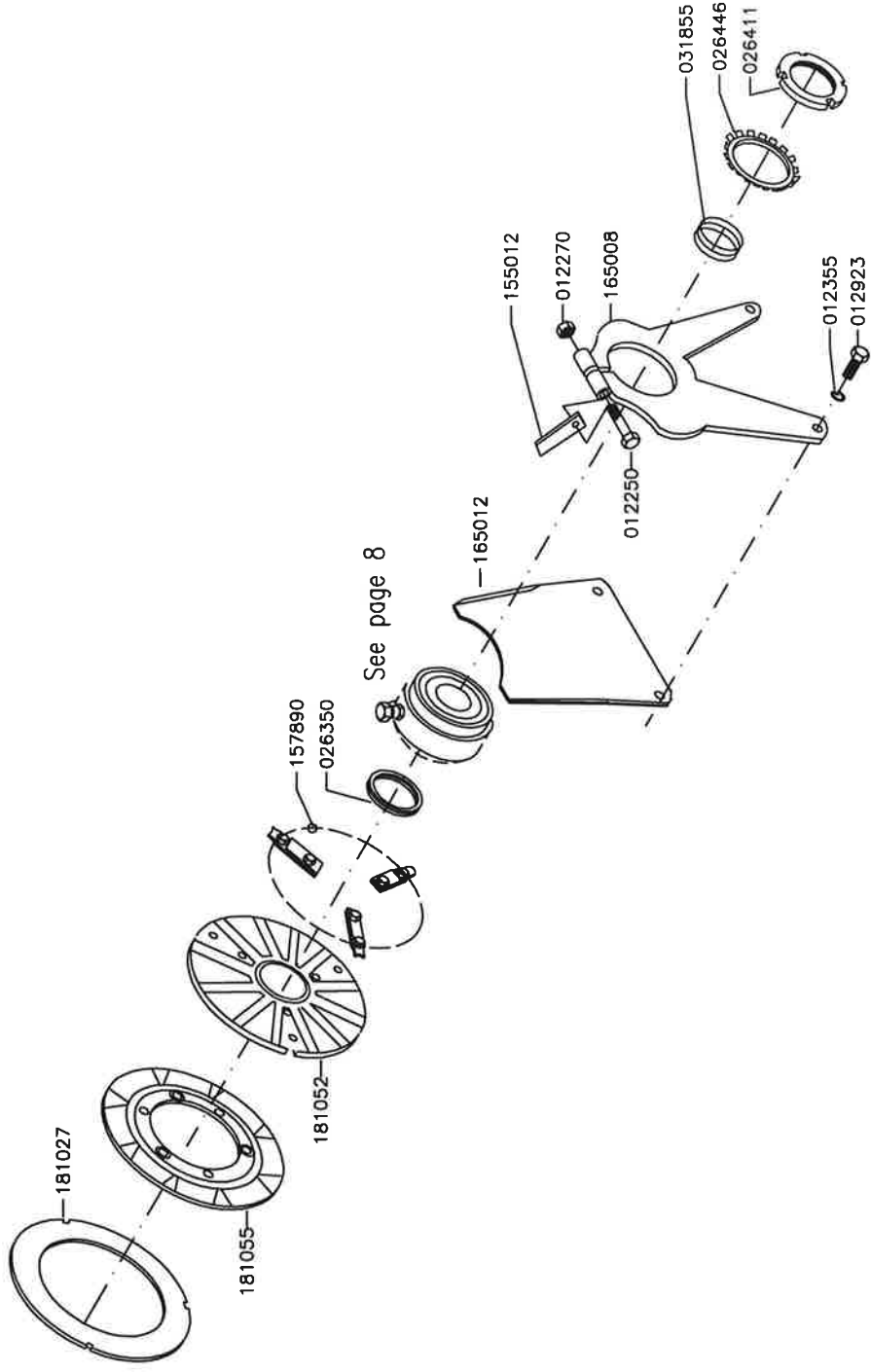
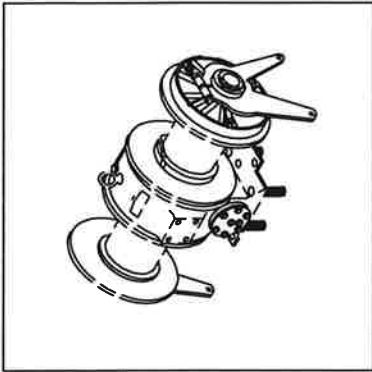
See page 3

For 9002 Maxo Top only

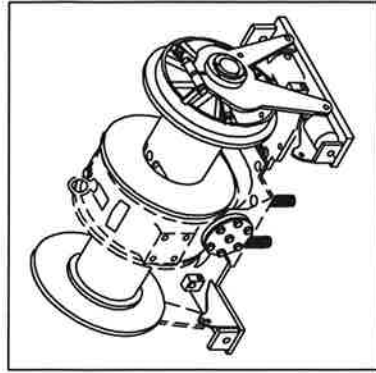


IGLAND 9002 Maxo TL, TLP IGLAND 9002 Maxo Top

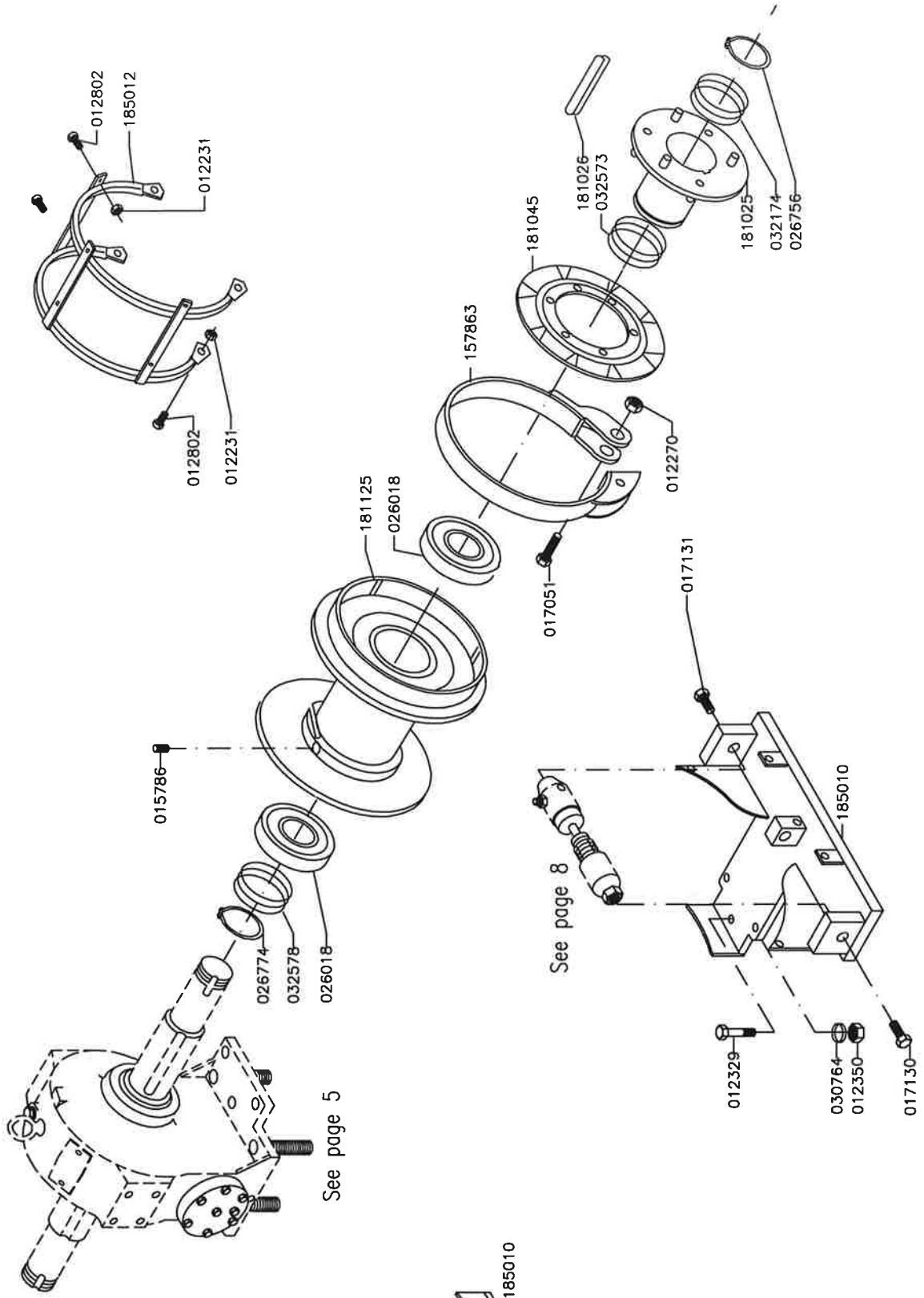
”HEAD”



IGLAND 9002 Maxo TL, TLP IGLAND 9002 Maxo Top

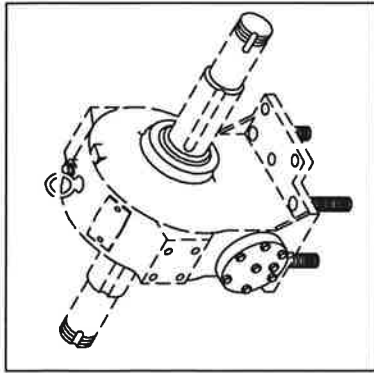


"HEAD"

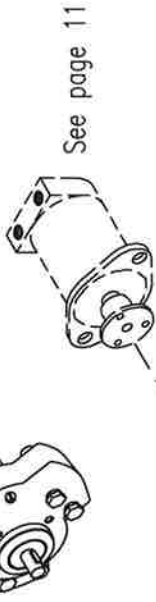


IGLAND 9002 Maxo TL, TLP IGLAND 9002 Maxo Top

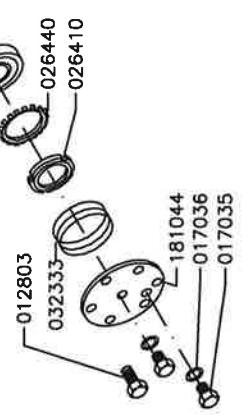
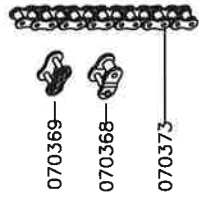
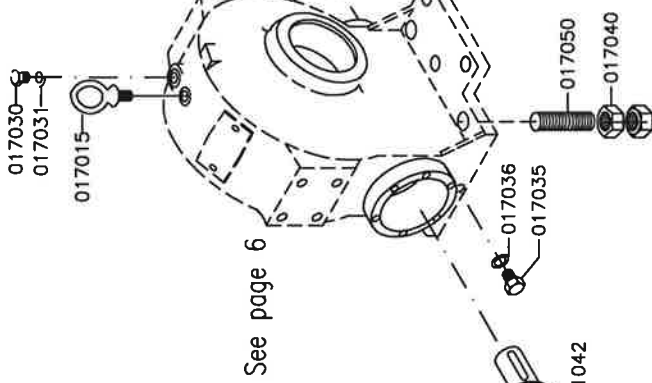
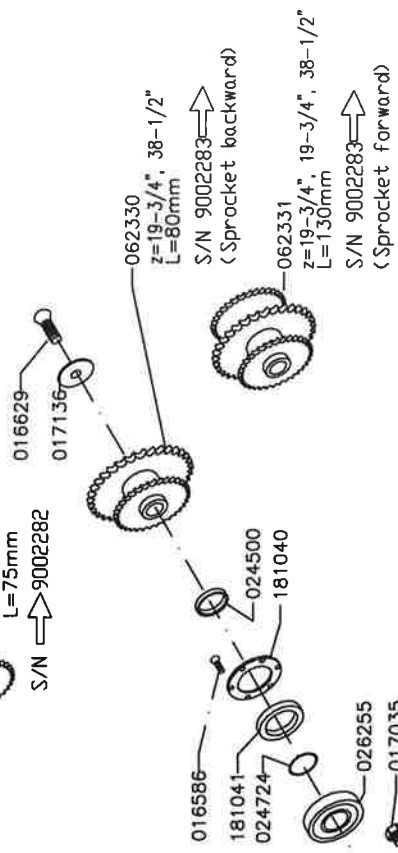
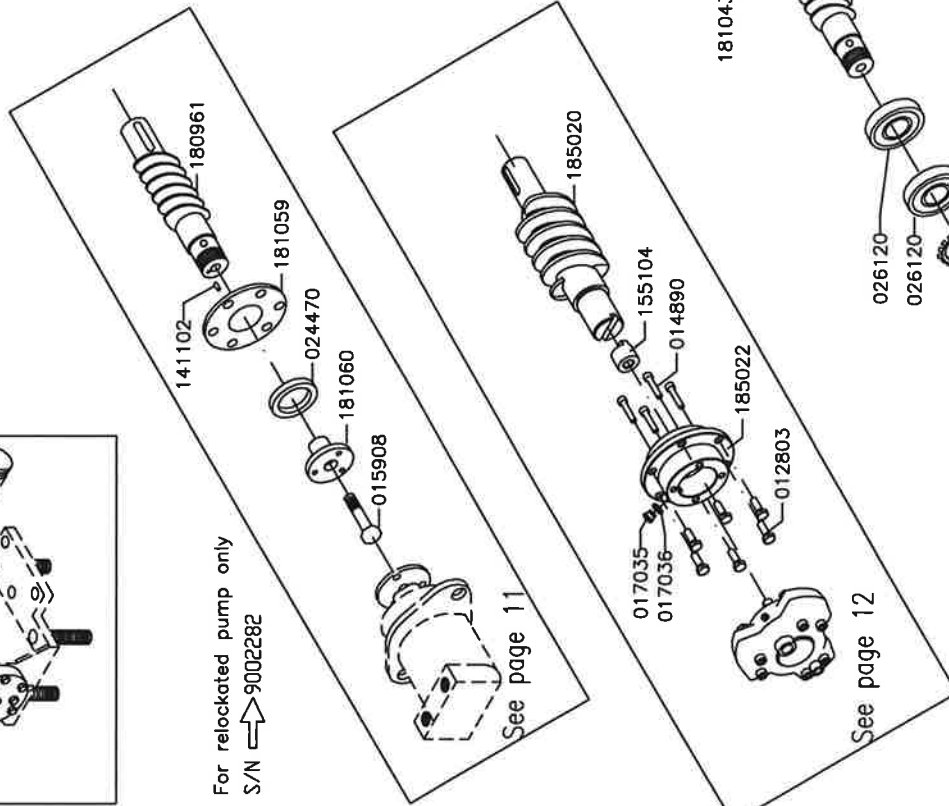
"HEAD"



See page 12

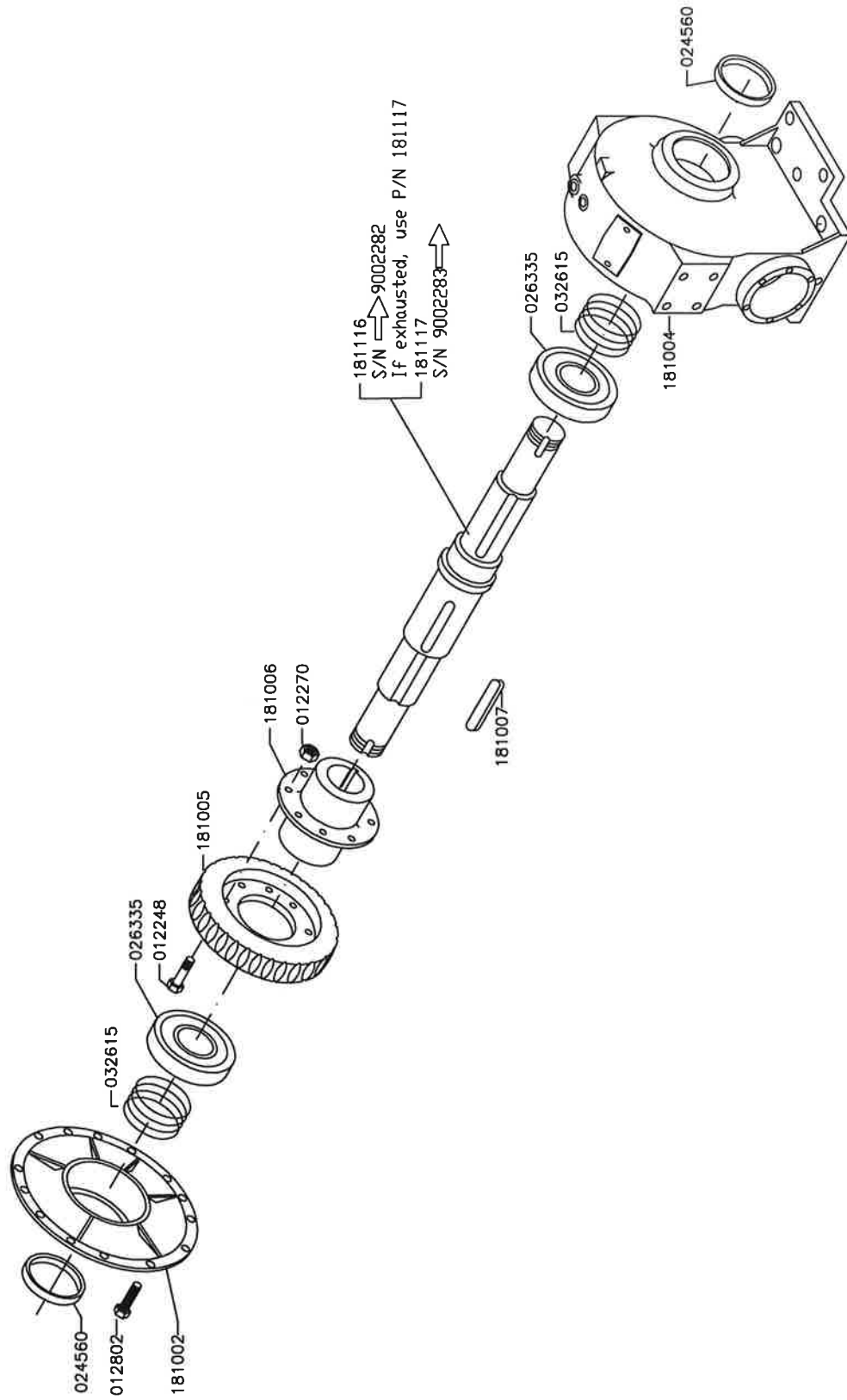
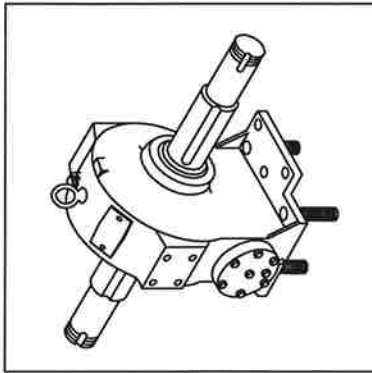


See page 11



IGLAND 9002 Maxo TL, TLP IGLAND 9002 Maxo Top

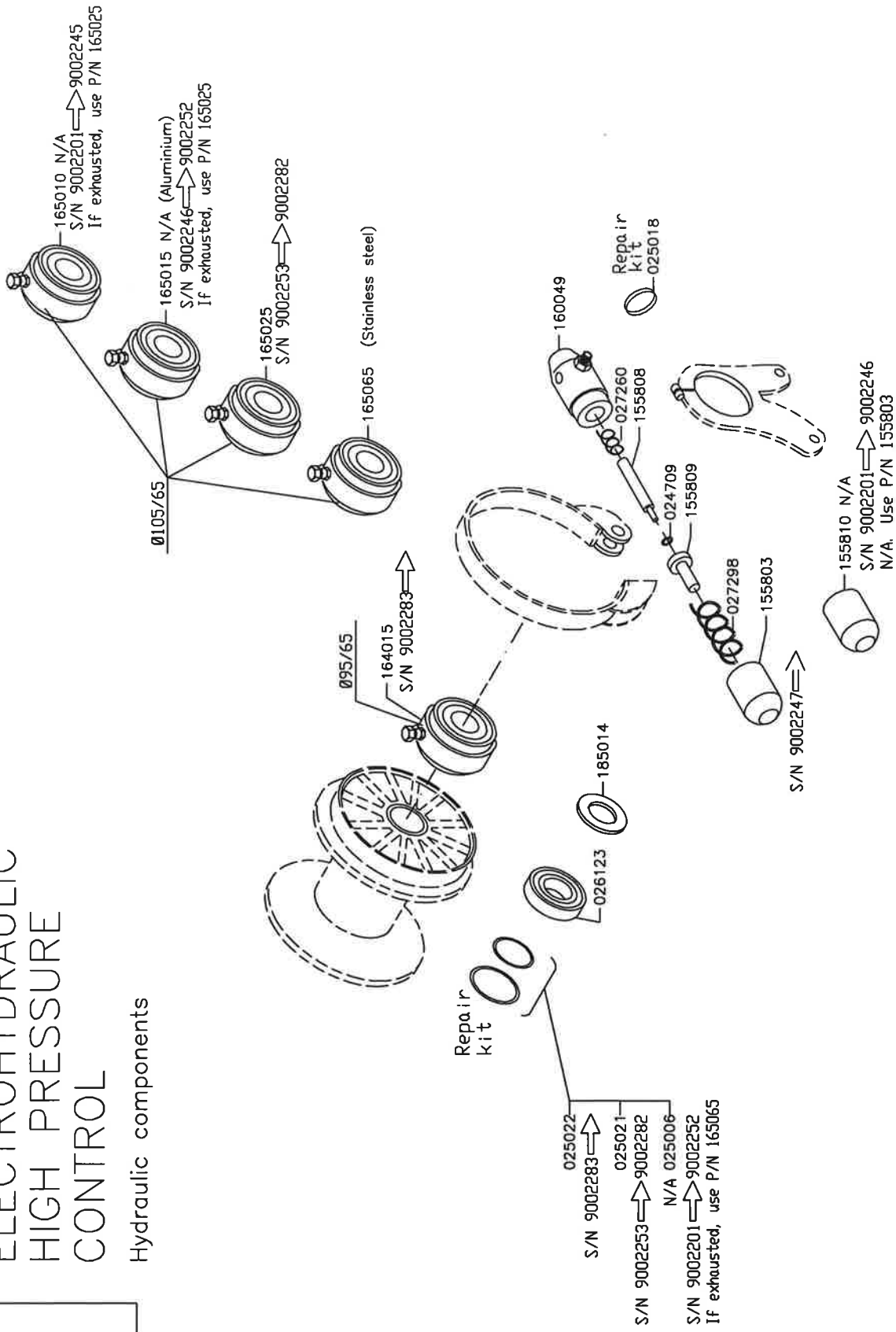
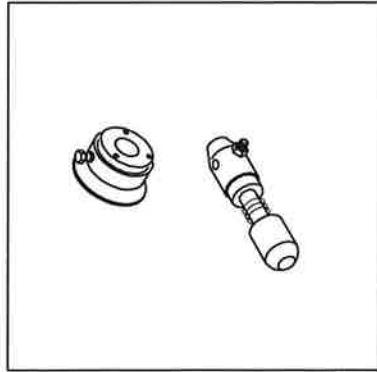
”HEAD”



IGLAND 9002 Maxo TL, TLP IGLAND 9002 Maxo Top

ELECTROHYDRAULIC HIGH PRESSURE CONTROL

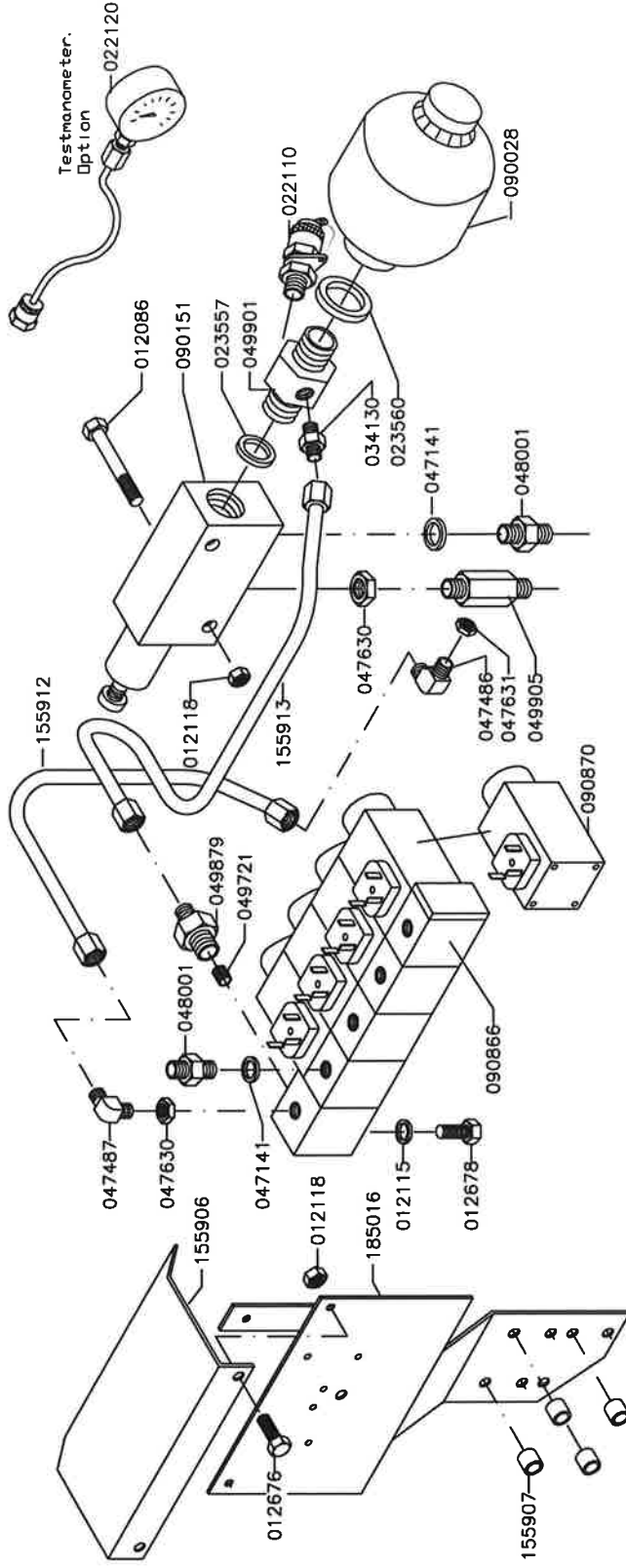
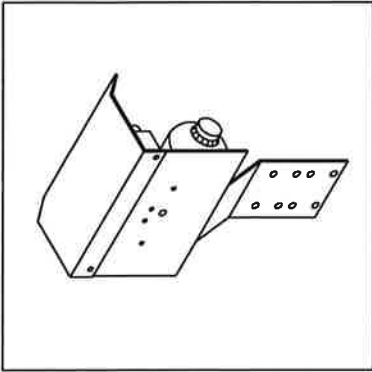
Hydraulic components



IGLAND 9002 Maxo TL IGLAND 9002 Maxo Top

ELECTROHYDRAULIC HIGH PRESSURE CONTROL

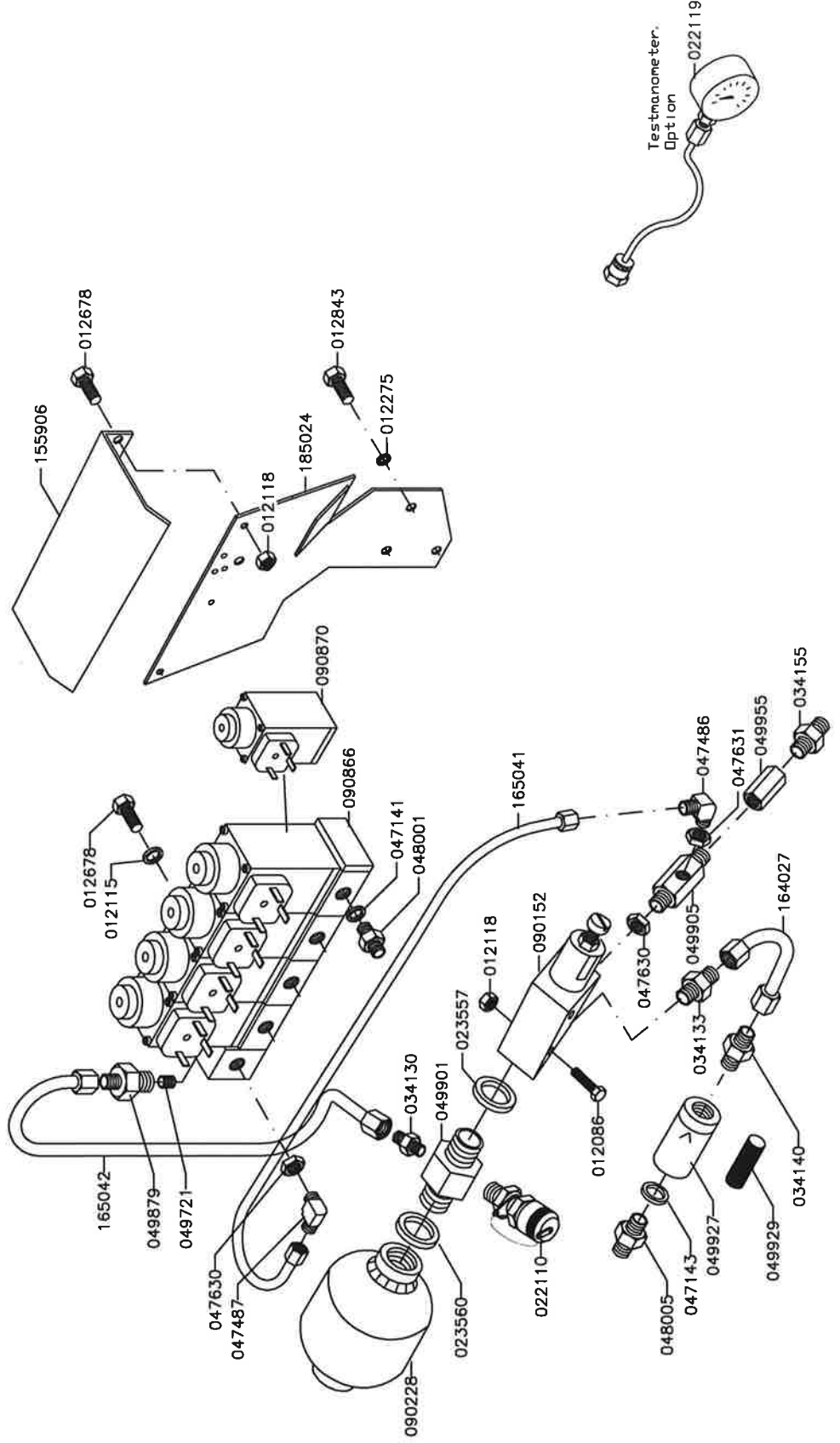
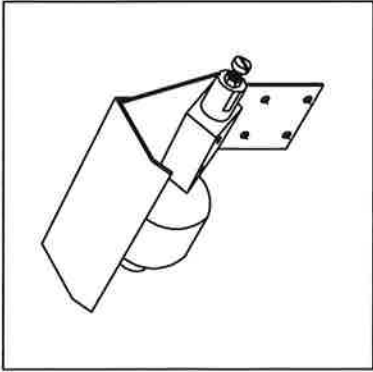
Hydraulic components S/N 9002201 ⇄ 9002282



IGLAND 9002 Maxo TL, TLP IGLAND 9002 Maxo Top

ELECTROHYDRAULIC HIGH PRESSURE CONTROL

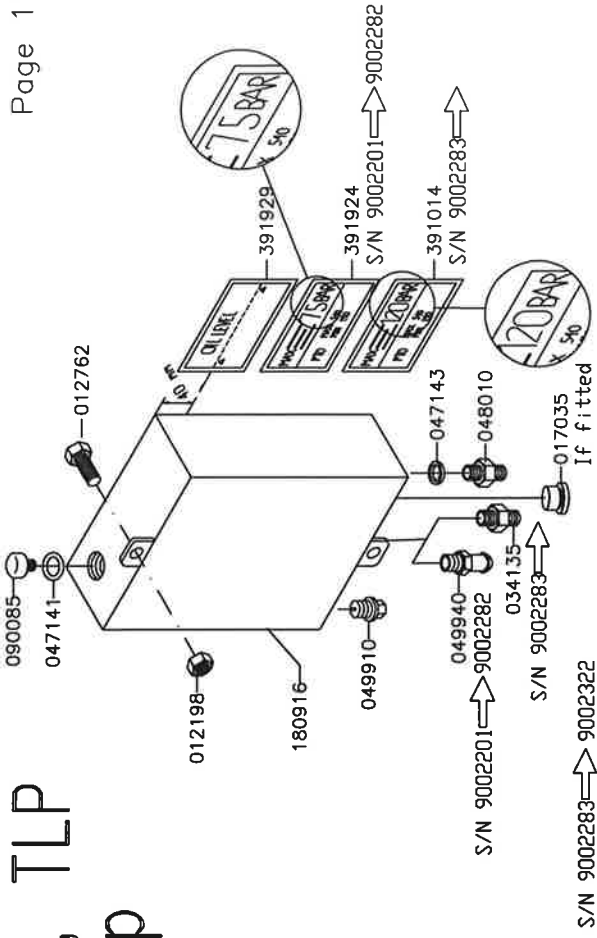
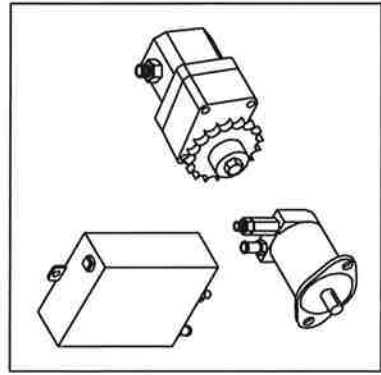
Hydraulic components S/N 9002283



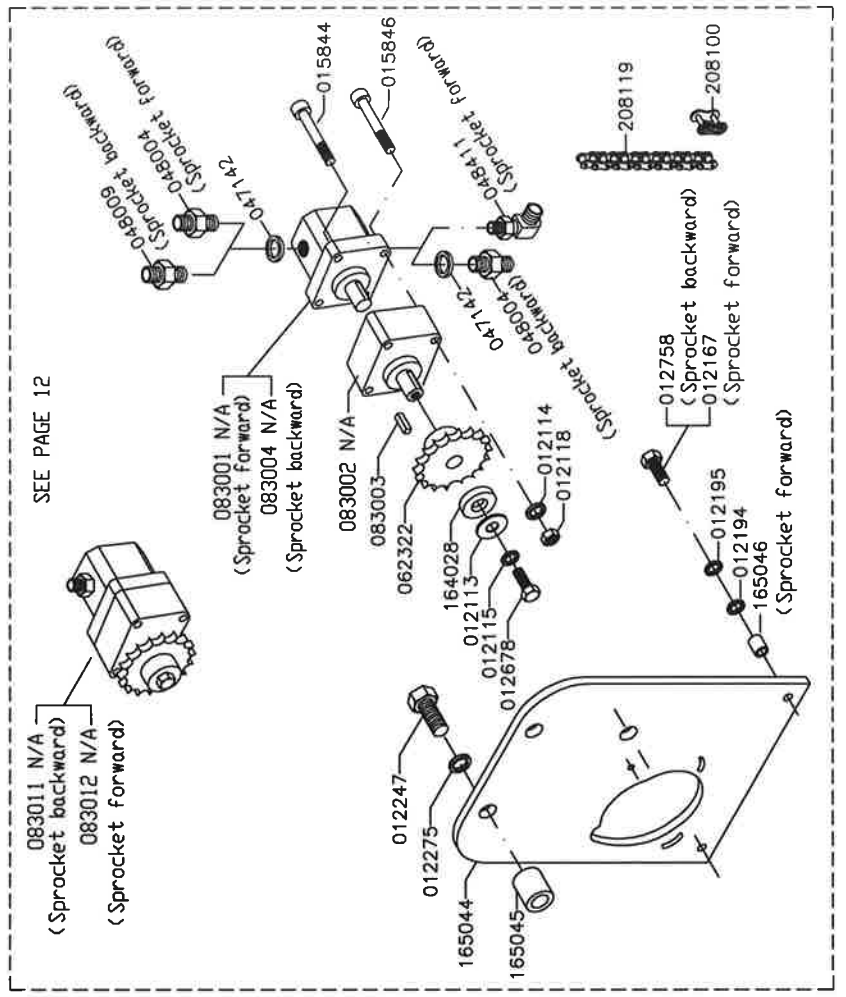
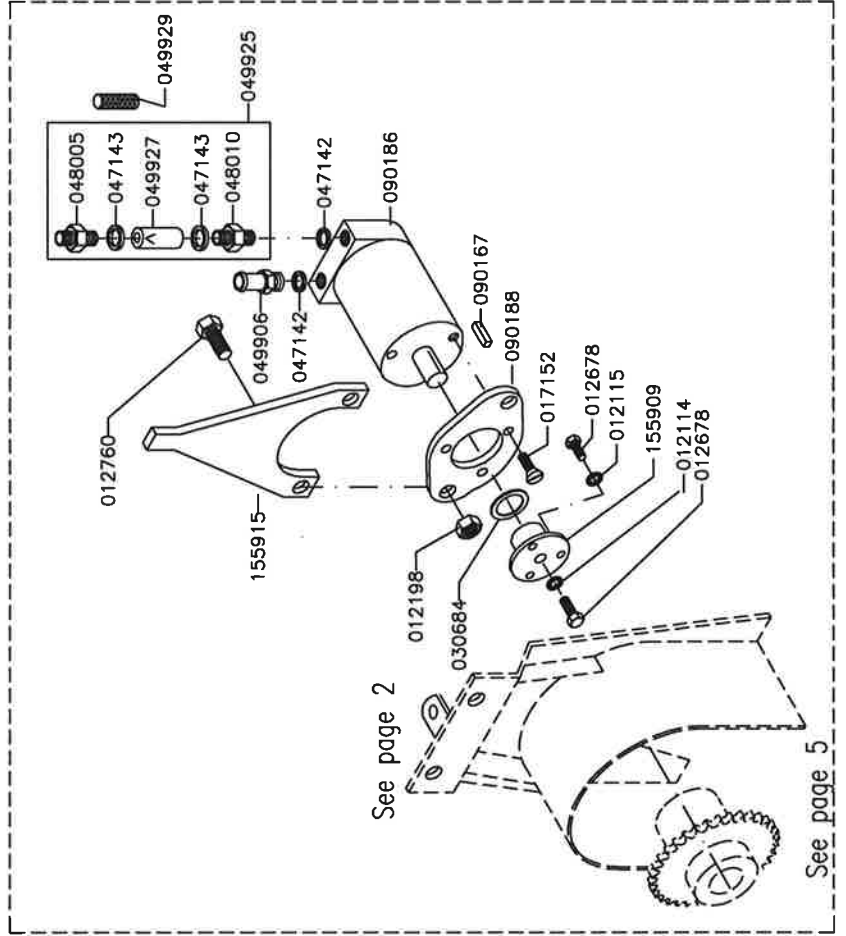
IGLAND 9002 Maxo TL, TLP IGLAND 9002 Maxo Top

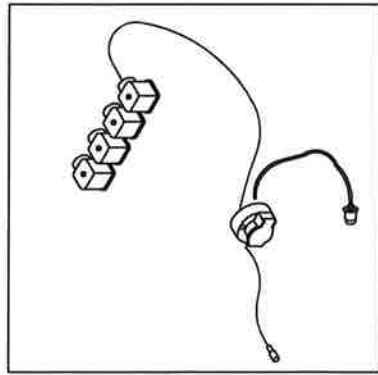
ELECTROHYDRAULIC HIGH PRESSURE CONTROL

Hydraulic components



S/N 9002201 → 9002282

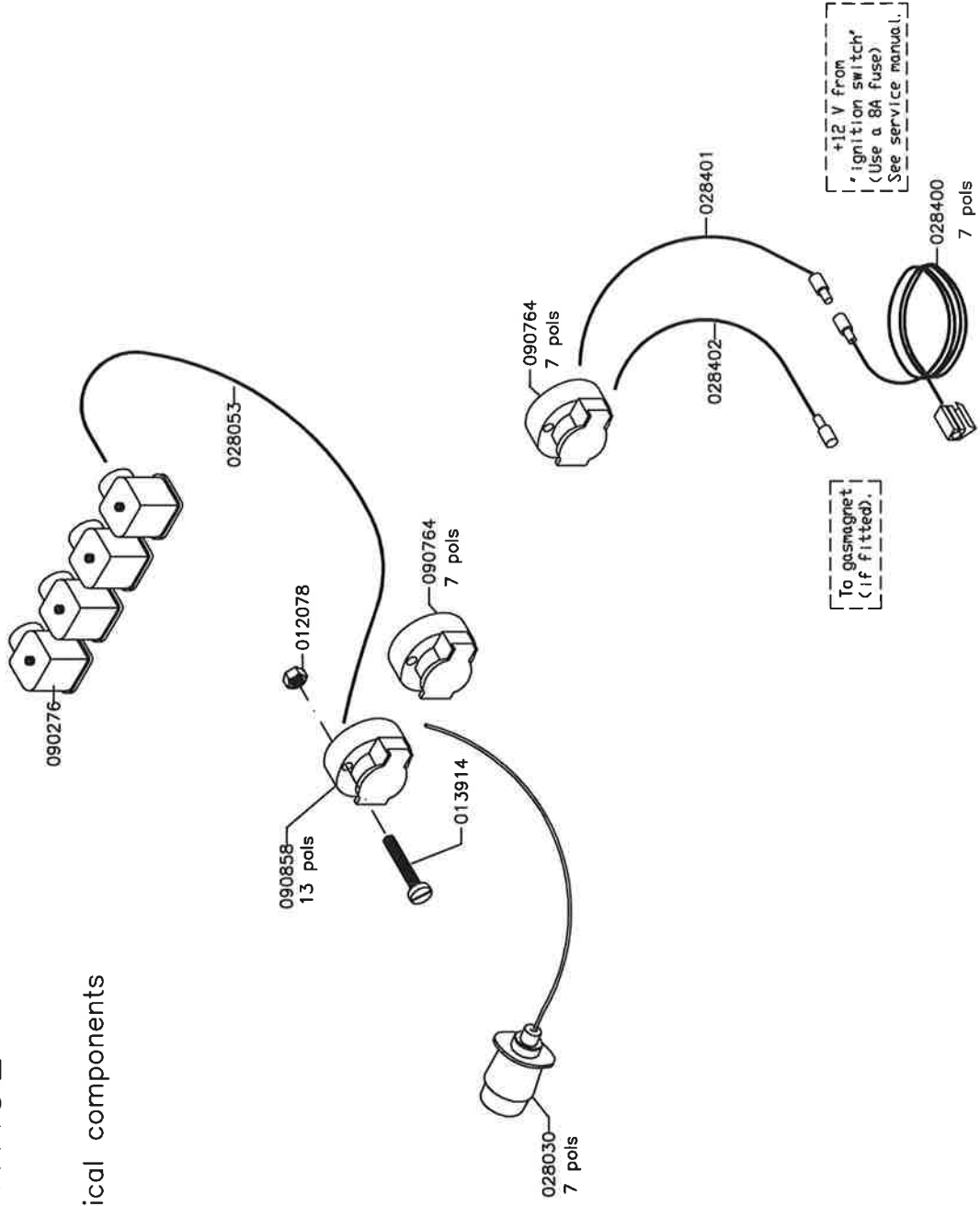


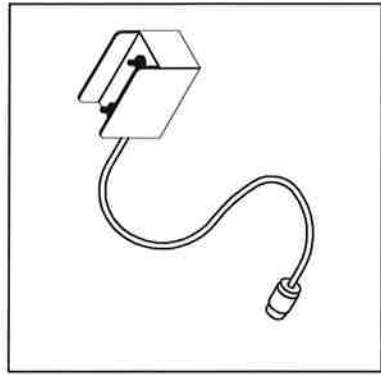


IGLAND 9002 Maxo TL, TLP IGLAND 9002 Maxo Top

ELECTROHYDRAULIC CONTROL

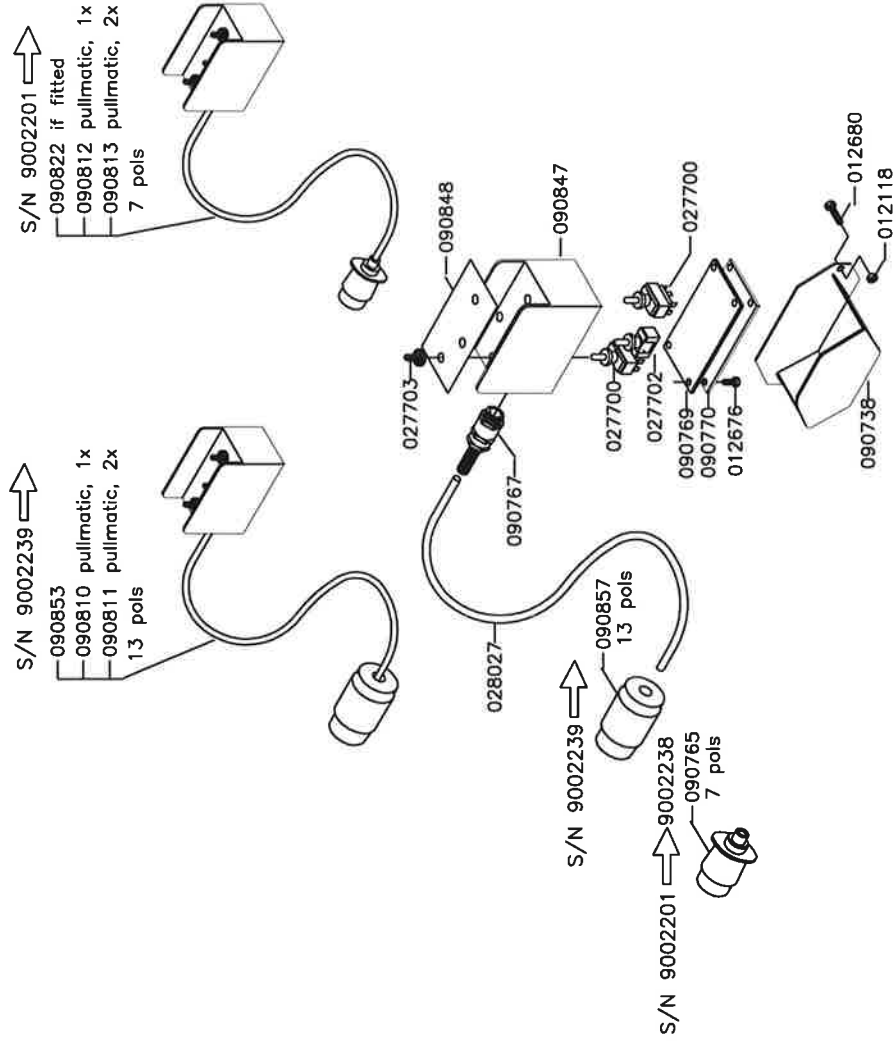
Electrical components





IGLAND 9002 Maxo TL, TLP IGLAND 9002 Maxo Top ELECTROHYDRAULIC CONTROL

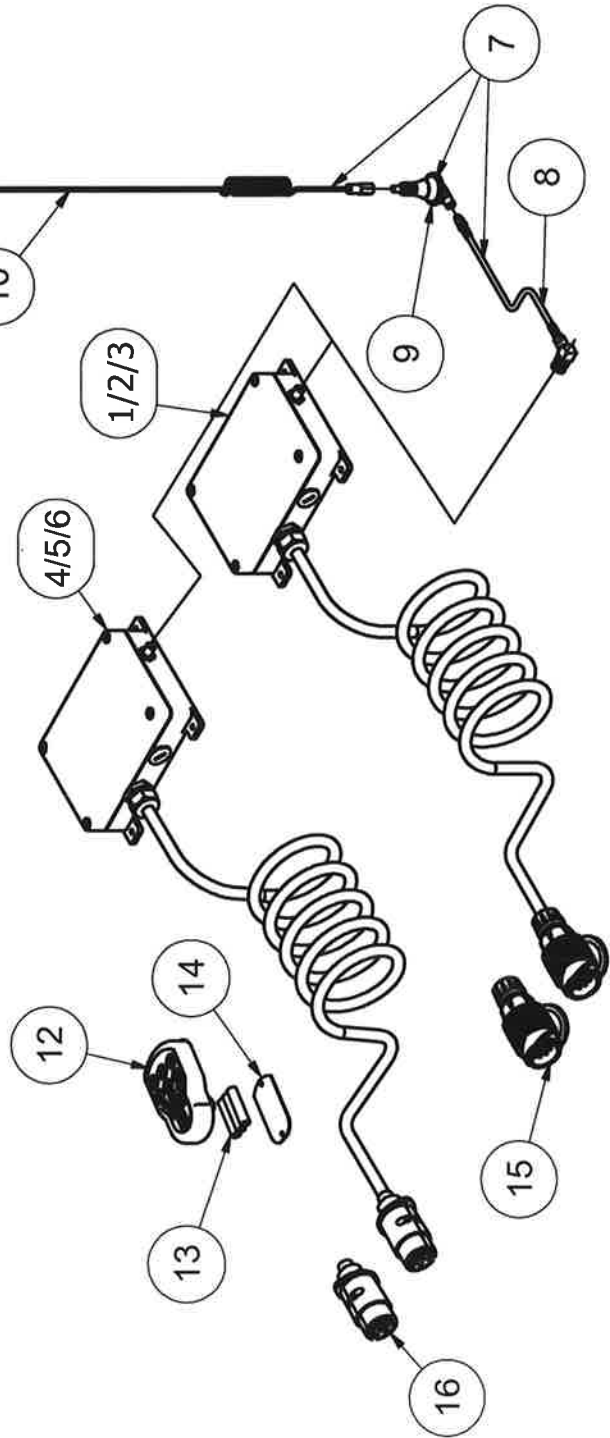
Electrical components



IGLAND 9002 MAXO TL, TLP Option Radio remote control

Pos	Art.No.	No	Beskrivelse	Description	Bezeichnung
-	091176	1	Radiobefjening, kpl.	Radio remote control compl.	
	095390		Radiobefjening, kpl. pullmatic for 1 tr.	Radio remote control compl. for pullmatic 1 dr.	
	095391		Radiobefjening, kpl. pullmatic for 2 tr.	Radio remote control compl. for pullmatic 2 dr.	
	090657		Tillegg for 7 pols kontakt	Add for 7 pole plug	
1	095389	1	Mottaker, 6 kanal, 433Mhz, 13 pol kontakt	Receiver, 6 ch., 433 MHz 13 pole plug	
2	095393	1	Mottaker, 6 kanal, 433Mhz, 13 pol kontakt pullmatic for 1 tr.	Receiver, 6 ch., 433 MHz 13 pole plug pullmatic for 1 dr.	
3	095395	1	Mottaker, 6 kanal, 433Mhz, 13 pol kontakt pullmatic for 2 tr.	Receiver, 6 ch., 433 MHz 13 pole plug pullmatic for 2 dr.	
4	095388	1	Mottaker, 6 kanal, 433Mhz, 7 pol kontakt	Receiver, 6 ch., 433MHz 7 pole plug	
5	095392	1	Mottaker, 6 kanal, 433Mhz, 7 pol kontakt pullmatic for 1 tr.	Receiver, 6 ch., 433 MHz 7 pole plug pullmatic for 1 dr.	
6	095394	1	Mottaker, 6 kanal, 433Mhz, 7 pol kontakt pullmatic for 2 tr.	Receiver, 6 ch., 433 MHz 7 pole plug pullmatic for 2 dr.	

Pos	Art.No.	No	Beskrivelse	Description	Bezeichnung
7	095289	1	Antenne komplett, 433 Mhz	Antenna compl., 433MHz	
8	095292	1	Antennekabel	Antenna cable	
9	095290	1	Antennefot	Antenna base	
10	095291	1	Antennepisk, 433 Mhz	Antenna	
12	095364	1	Radiosender, 6 kanal, 433 Mhz	Transmitter, 6 ch., 433MHz	
13	095370	3	Batteri 1,5V AAA	Battery 1,5V	
14	095371	1	Batterilokk	Battery cover	
15	090857	1	Støpsel, 13 pol	13 pole plug	
16	090765	1	Støpsel, 7 pol	7 pole plug	



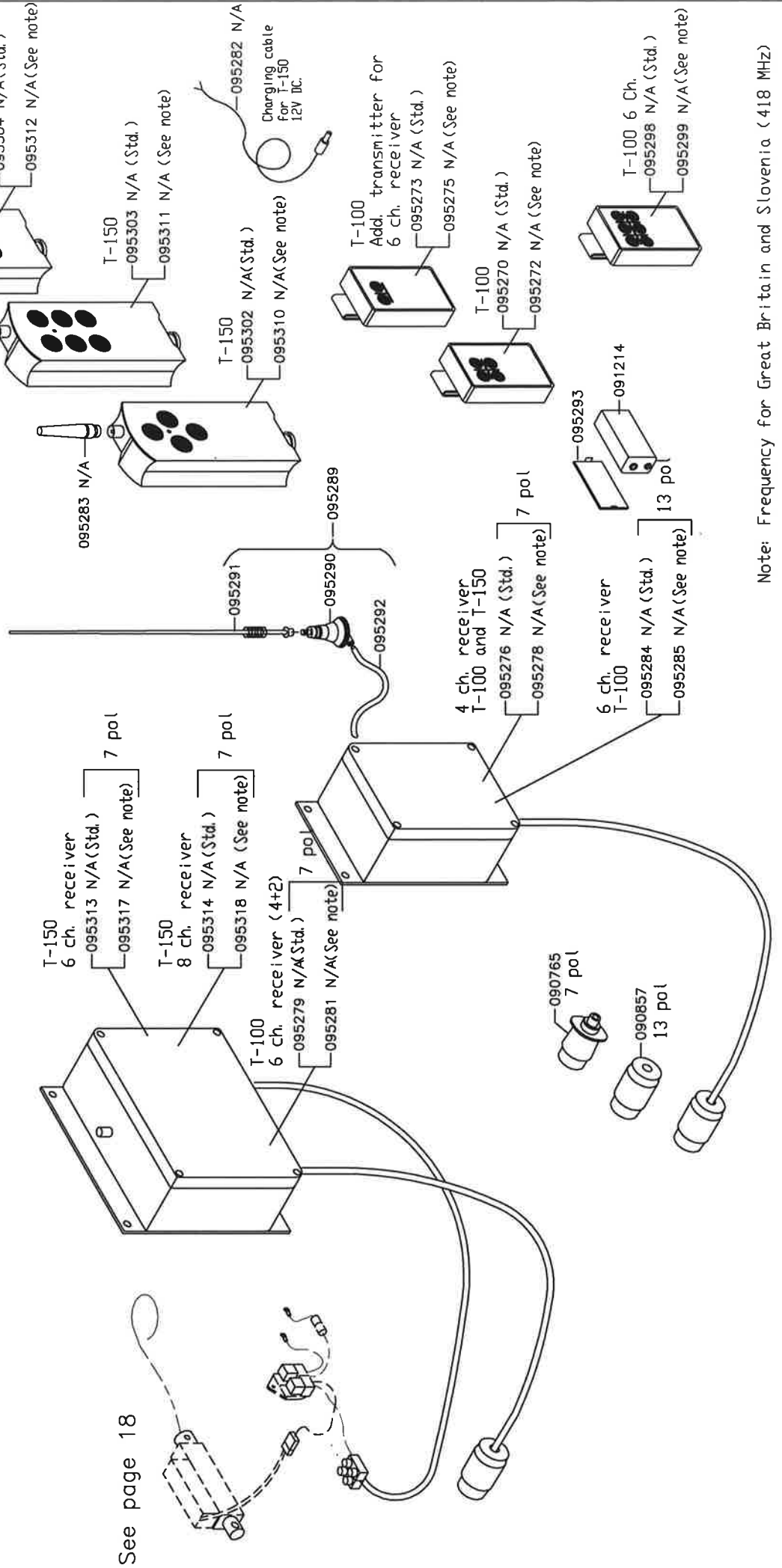
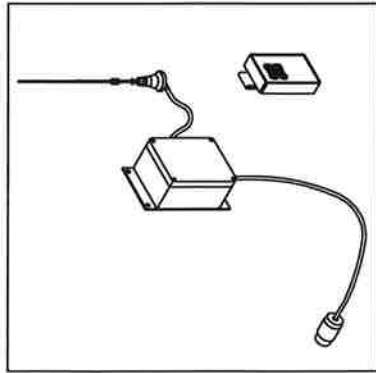
IGLAND 9002 Maxo TL, TLP IGLAND 9002 Maxo Top

TELERADIO

- RADIO REMOTE CONTROL KIT, T-100, 4 ch.: 091160 N/A
- RADIO REMOTE CONTROL KIT, T-100, 6 ch.: 091176
- RADIO REMOTE CONTROL KIT, T-150, 4 ch.: 091180 N/A
- RADIO REMOTE CONTROL KIT, T-150, 6 ch.: 091181 N/A
- RADIO REMOTE CONTROL KIT, T-150, 8 ch.: 091182 N/A

If fitted. Add. price for extra 2 ch. transmitter/6 ch. receiver (only for 091160)
Add. price for frequency for Great Britain and Slovenia

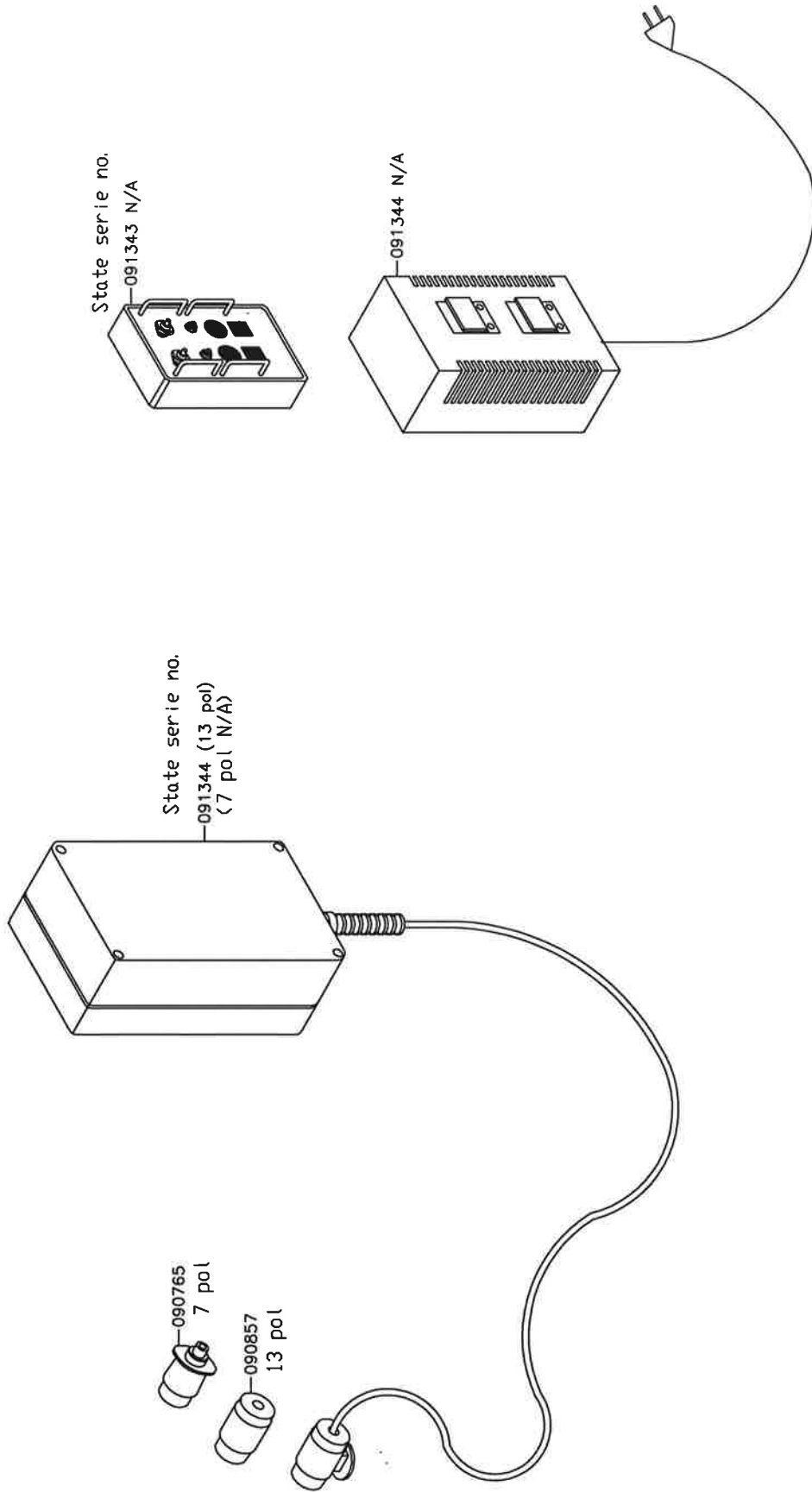
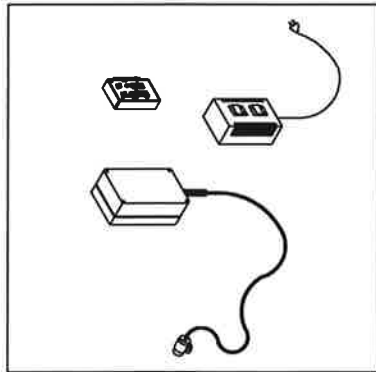
- 091161 N/A
- 091163 N/A



IGLAND 9002 Maxo TL, TLP

IGLAND 9002 Maxo Top

HM RADIO REMOTE CONTROL F202,	7 pol:	091195	N/A
HM RADIO REMOTE CONTROL F202,	13 pol:	091322	N/A
HM RADIO REMOTE CONTROL F202,	13 pol m/RPM actuator	091326	N/A
HM RADIO REMOTE CONTROL F202,	13 pol m/RPM actuator	091325	N/A
HM RADIO REMOTE CONTROL F202,	7 pol m/ RPM actuator	091192	N/A

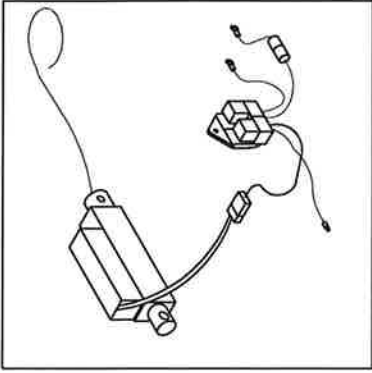


IGLAND 9002 Maxo TL, TLP IGLAND 9002 Maxo Top

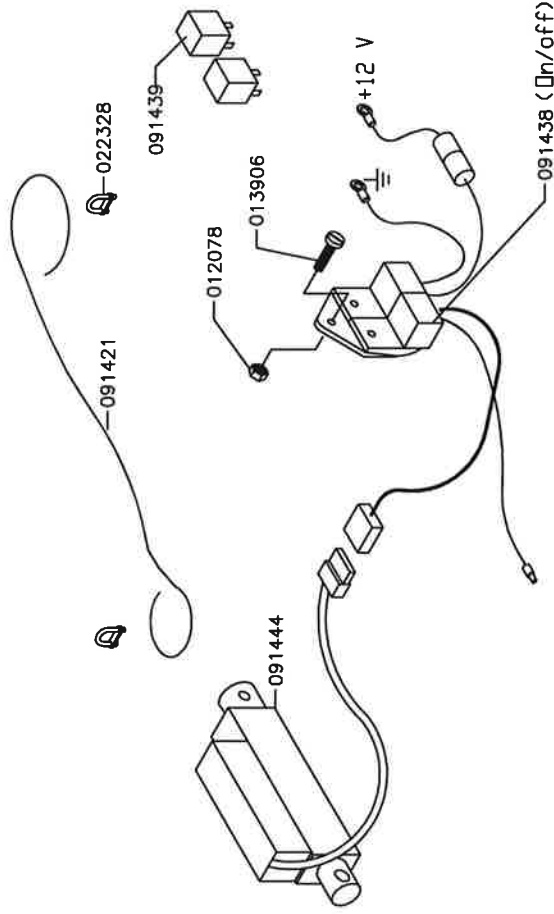
RPM ACTUATOR, compl.: 091442
On/off function

RPM ACTUATOR, compl.: 091443
Stepless function.

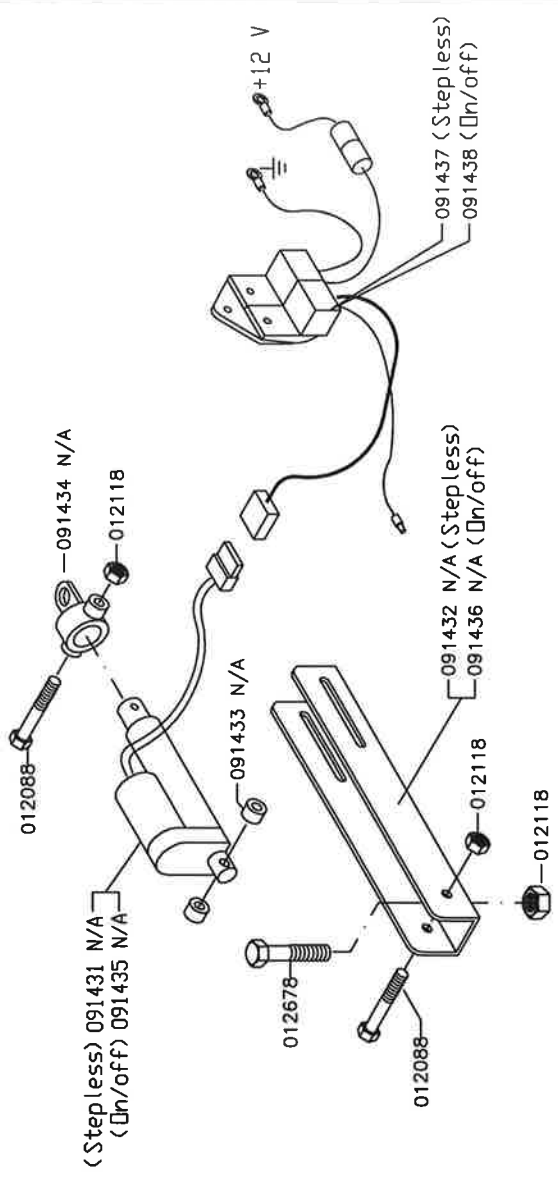
If fitted.



Later version



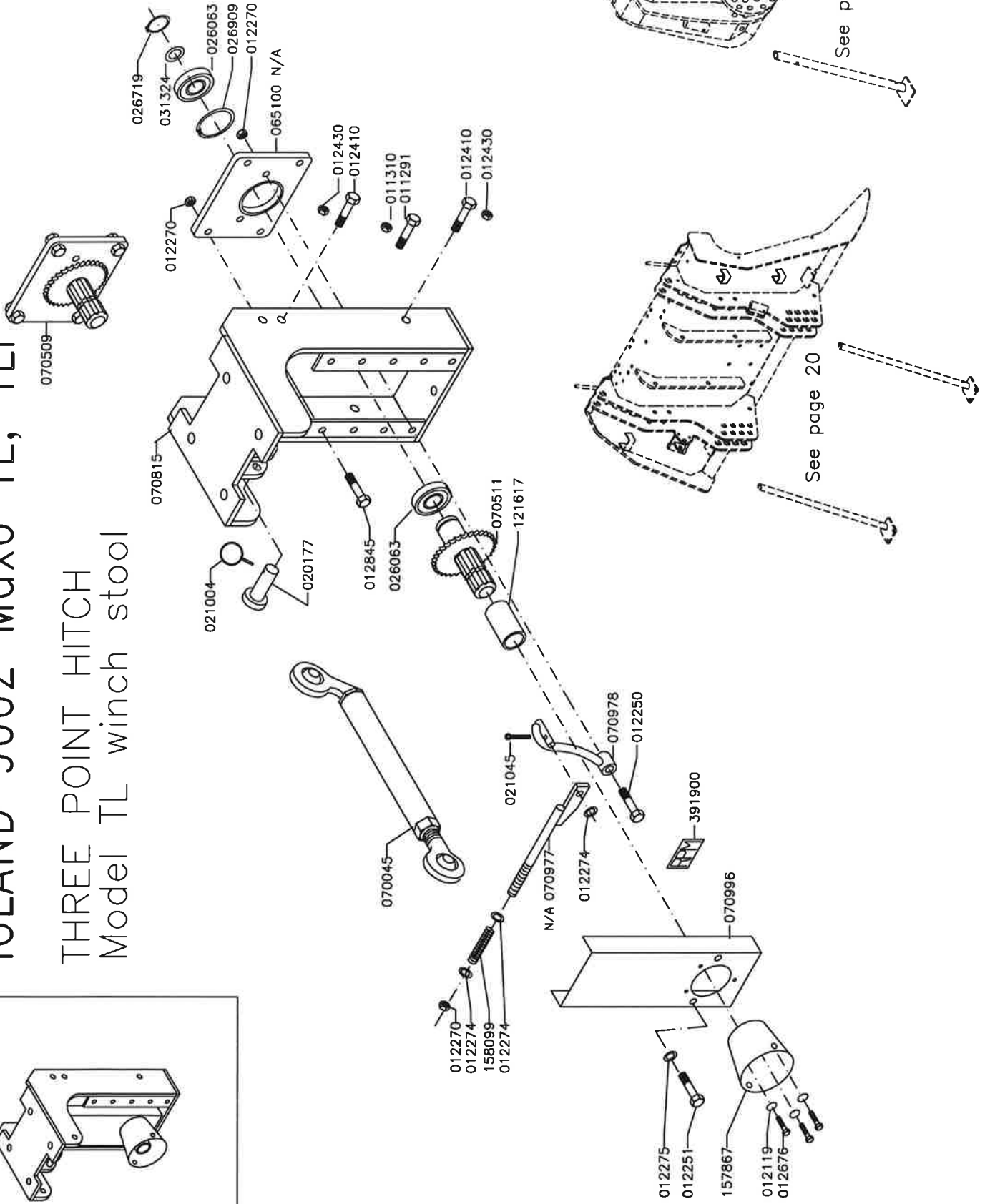
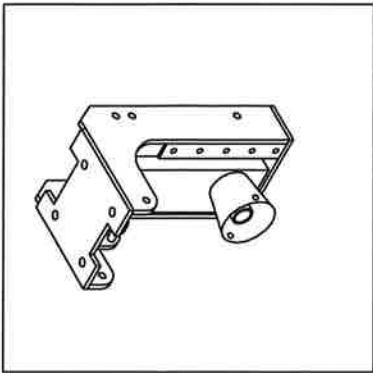
Early version



IGLAND 9002 Maxo TL, TLP

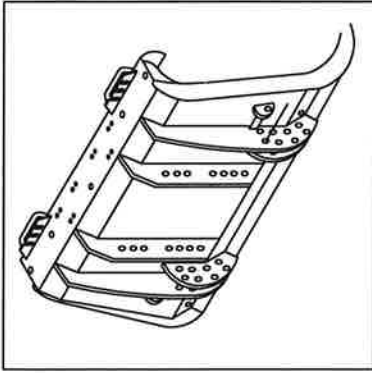
THREE POINT HITCH

Model TL winch stool

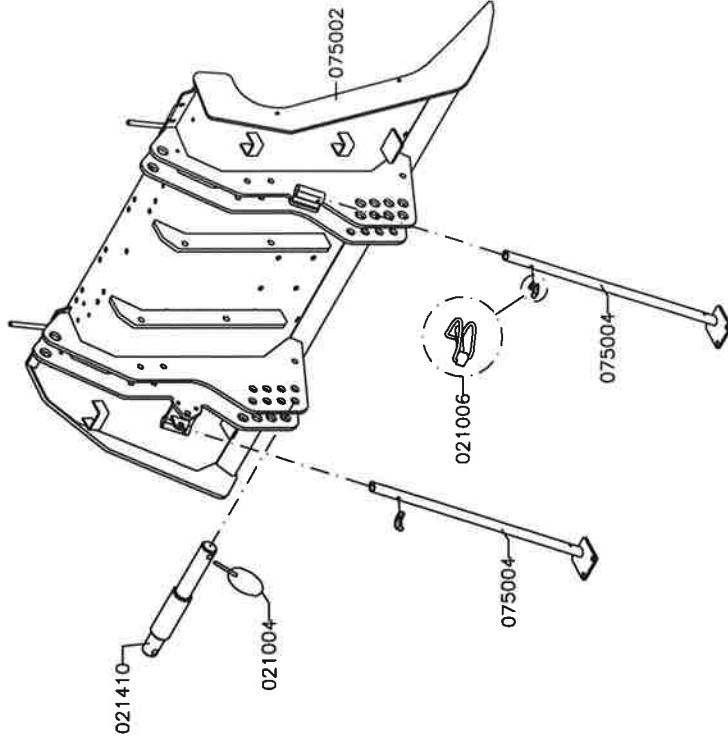


IGLAND 9002 Maxo TL TLP

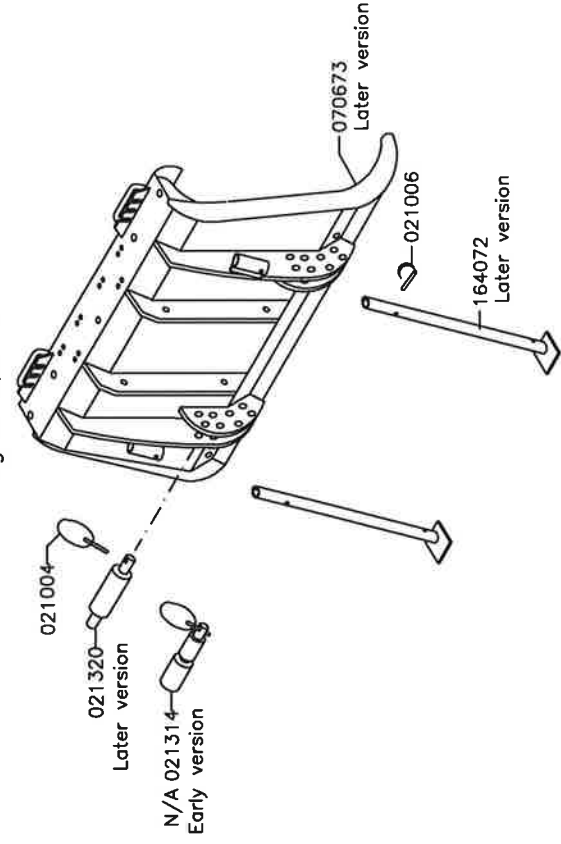
BUTT PLATE



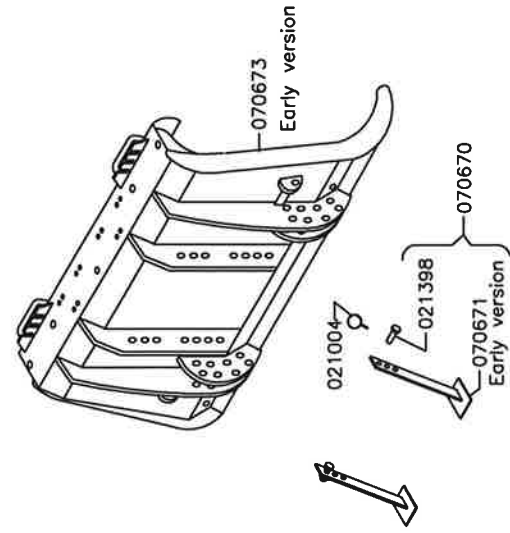
TLP 2,2 m



Ligna 2,0 m

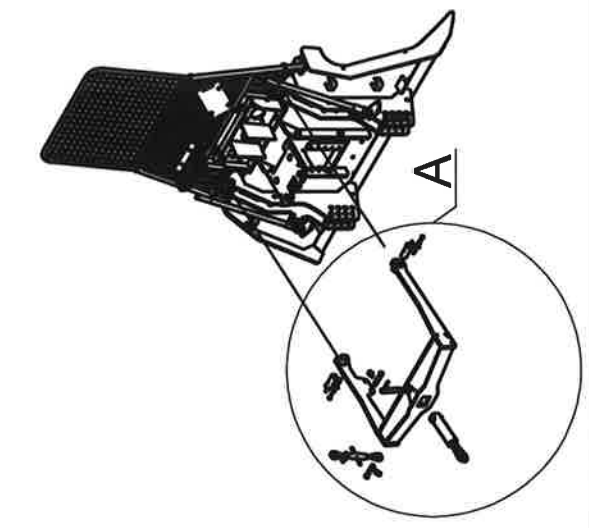
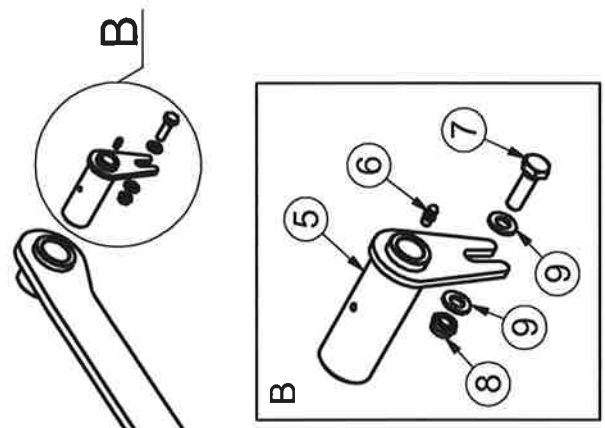
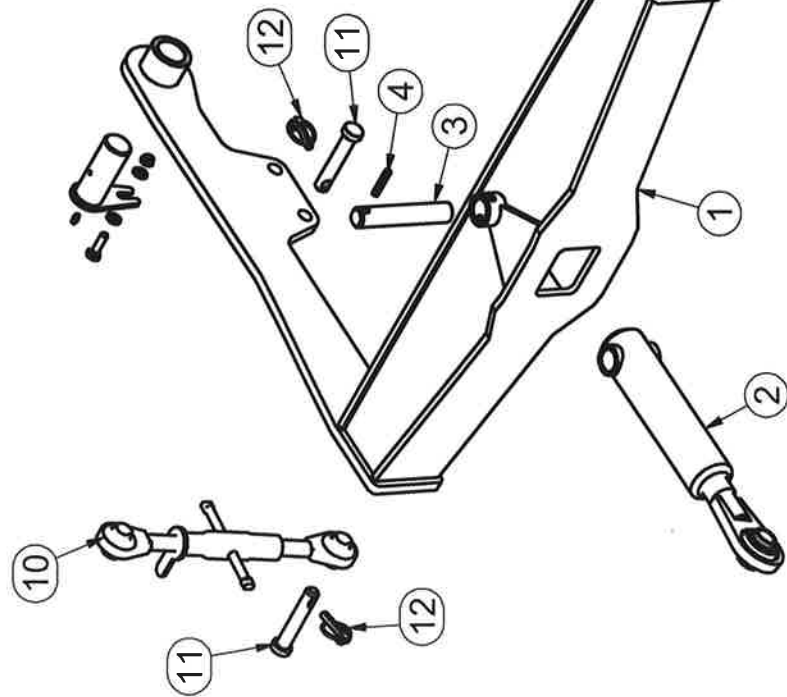


Ligna 2,0 m



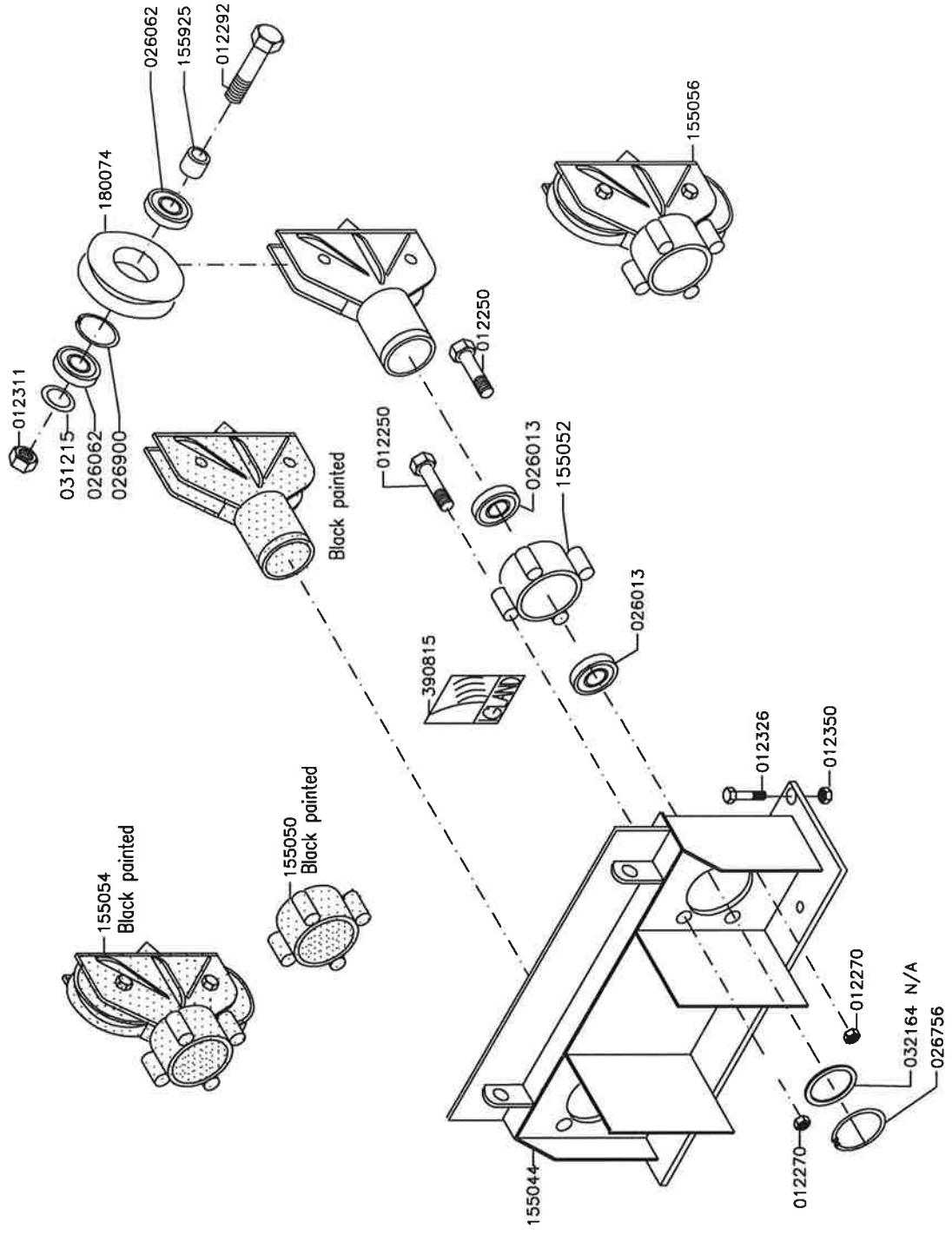
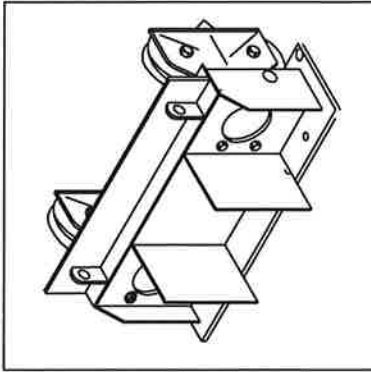
RESERVEDELSLISTE - SPARE PARTS LIST - ERSATZTEILLISTE

Pos	Art.No.	No	Beskrivelse	Description	Bezeichnung
-	075010	1	Toppstag, spesial kpl.	Top Link compl.	
1	075012	1	Toppstag, ramme	Top link frame	
2	075014	1	Traktorforste toppstag	Adjusting sleeve	
3	075018	1	Oppplagingsbolt	Hinge pin	
4	020826	1	Spennhylse	Collet sleeve	
5	075020	2	Oppplagingsbolt	Hinge pin	
6	017403	2	Smørenippel	Greaseneripple	
7	012804	2	Skrue	Screw	
8	012231	2	Mutter	Nut	
9	012235	4	Skive	Washer	
10	723122	1	Strekfisk	Turnbuckle	
11	020099	2	Bolt kat 1	Bolt	
12	021004	2	Orepinne	Locking pin	



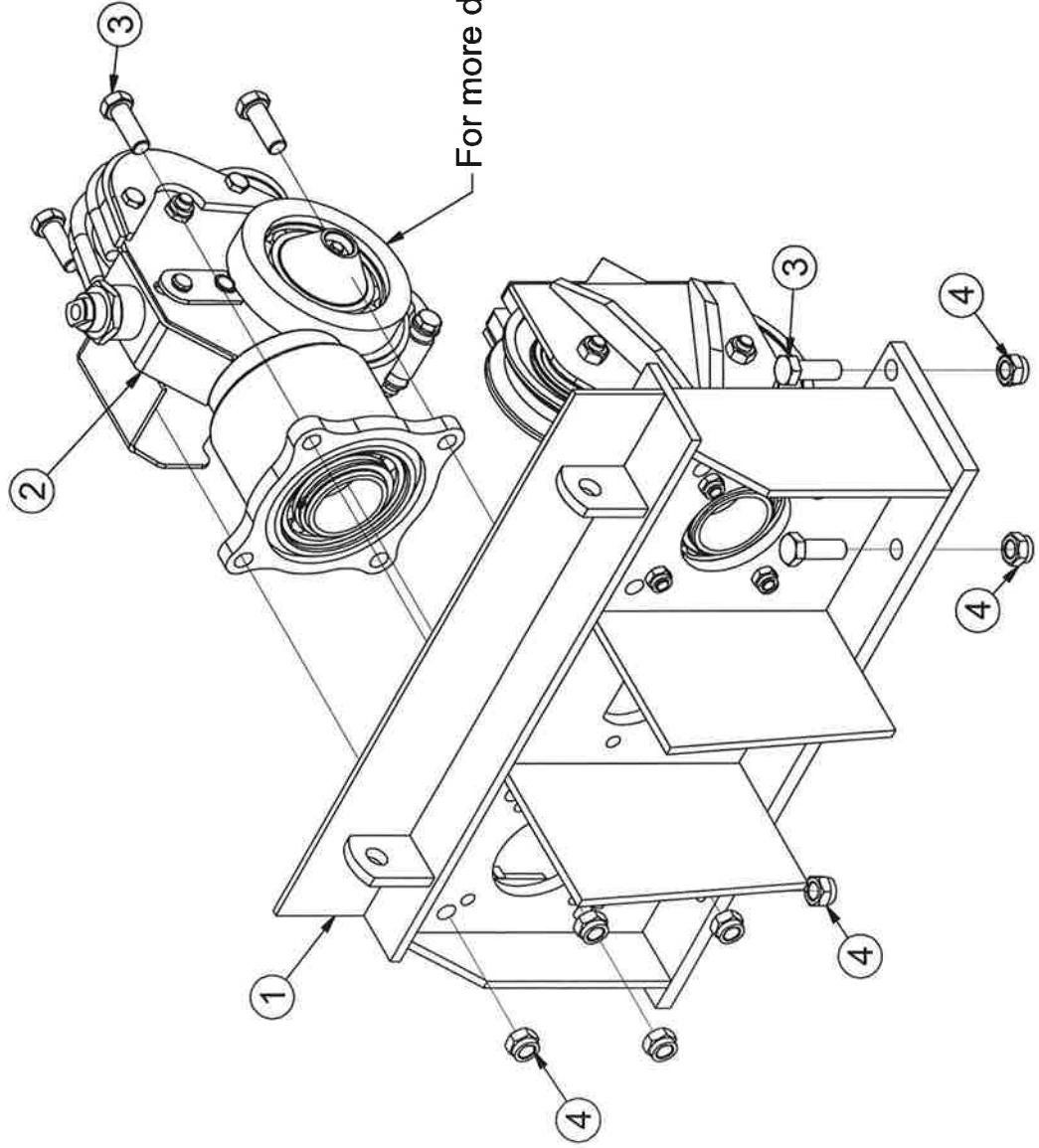
IGLAND 9002 Maxo TL, TLP

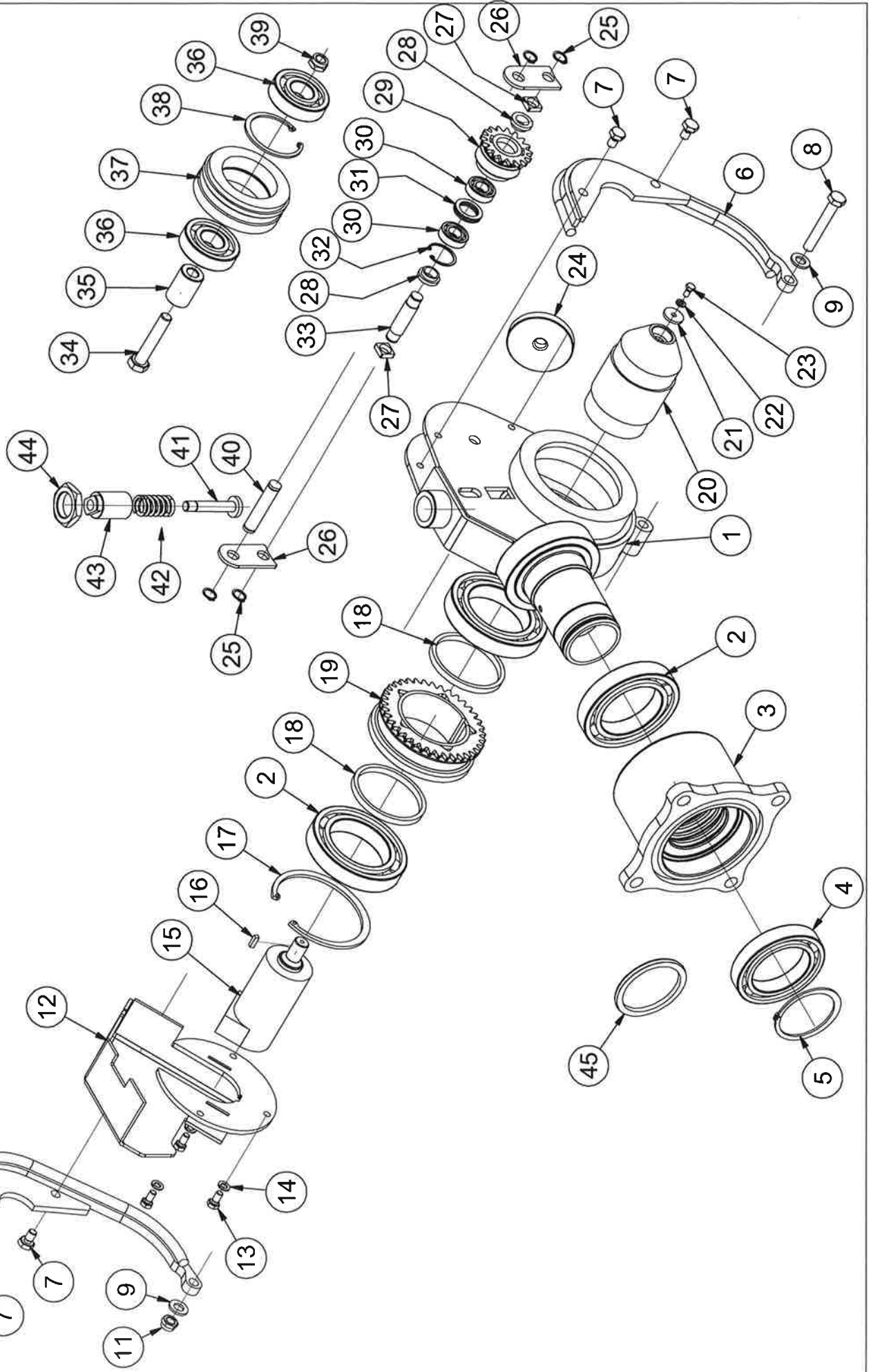
BUTTERFLY FAIRLEAD



RESERVEDELSLISTE - SPARE PARTS LIST - ERSATZTEILLISTE

Pos	Art.No.	No	Beskrivelse	Description	Bezeichnung
1	075024	1	Propellerportholder	Propellers port	
2	165170	1	Pullmatic, sort, kpl.	Pull matic black compl.	
3	012926	8	Skrue	Screw	
4	012350	8	Mutter	Nut	



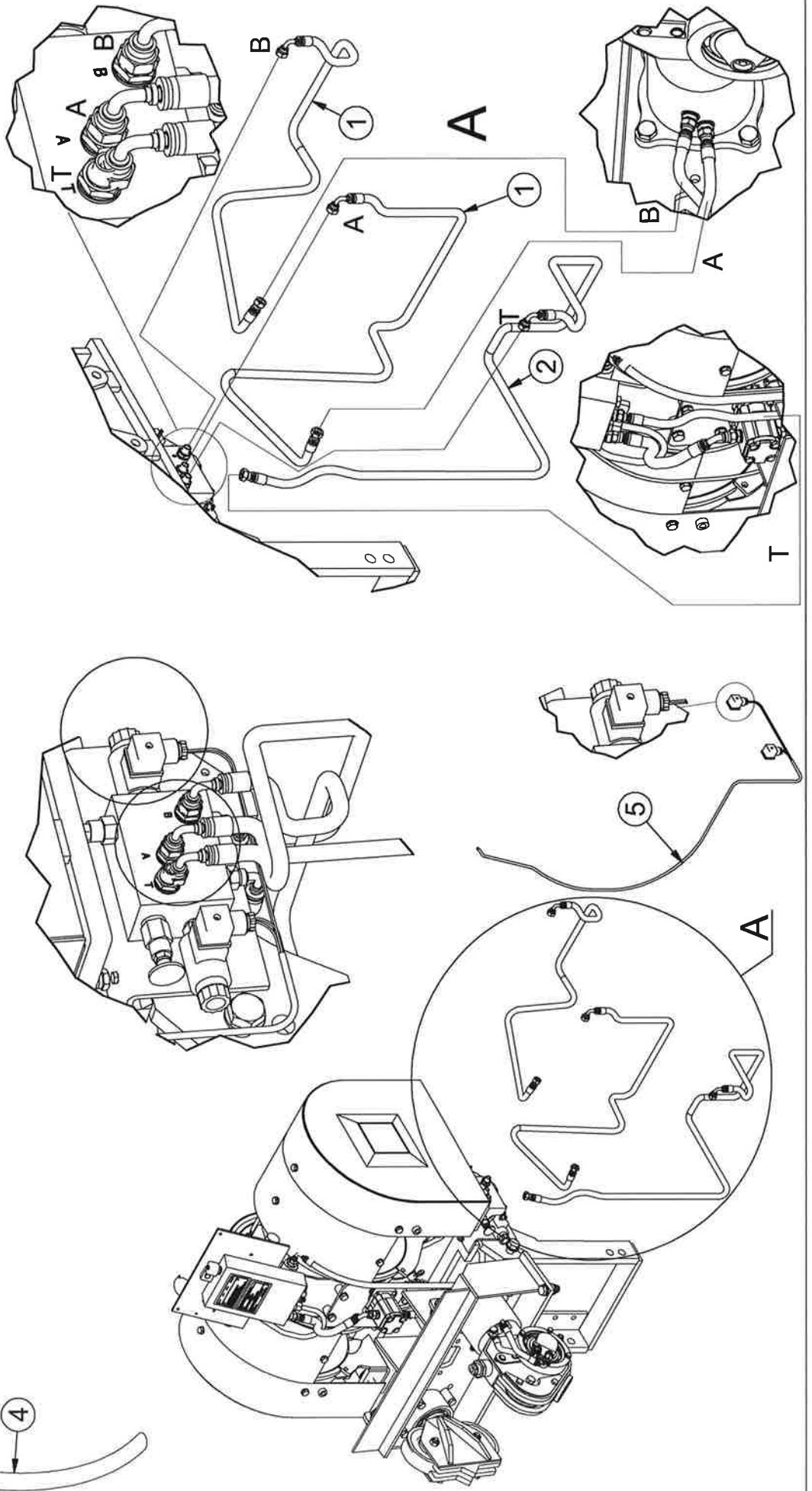
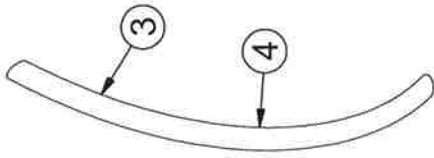


RESERVEDELSLISTE - SPARE PARTS LIST - ERSATZTEILLISTE				RESERVEDELSLISTE - SPARE PARTS LIST - ERSATZTEILLISTE	
Pos	Art.No.	Beskrivelse	Description	Bezeichnung	
1	165174	Blokkhus	Blockhouse		
2	026014	Lager	Bearing		
3	165176	Lagerholder	Bearinghouse		
4	026013	Lager	Bearing		
5	026756	Seegerring	Circlip		
6	165178	Sidedeksel sort 1 stk pullmatic	Sidcover black 1 stk pullmatic		
165179	1	Sidedeksel rød 2 stk pullmatic	Sidcover red 2 stk pullmatic		
7	012798	Skrue	Screw		
8	012253	Skrue	Screw		
9	012274	Skive	Washer		
10	165180	Sidedeksel rød 1 stk pullmatic	Sidcover black 1 stk pullmatic		
165181	1	Sidedeksel rød 2 stk pullmatic	Sidcover red 2 stk pullmatic		
11	012270	Mutter	Nut		
12	165182	Beskyttelsesdeksel sort 1 stk pullmatic	Protection cover black 1 pc. pullmatic		
165183	1	Beskyttelsesdeksel rød 2 stk pullmatic	Protection cover red 2 pc. pullmatic		
13	012758	Skrue	Screw		
14	012194	Skive	Washer		
15	164168	Oljemotor	Oilengine		
16	164169	Kile	Wedge		
17	026925	Seegerring	Circlip		
18	165154	Shims	Shims		
19	165124	Trinse med tannkrans	Pully		
20	165122	Hylse	Sleeve		
21	165158	Skive, spesial	Washer		
22	012215	Skive	Washer		
23	012676	Skrue	Screw		
24	165156	Skive, wirestopper	Washer wirestop		
25	026709	Seegerring	Circlip		
26	165128	Sideplate	Side plate		
27	165130	Skive, firkant	Washer Square		

RESERVEDELSLISTE - SPARE PARTS LIST - ERSATZTEILLISTE					
Pos	Art.No.	No	Beskrivelse	Description	Bezeichnung
28	165138	2	Avstandsbylse	Distance sleeve	
29	165126	1	Pressrull	Press roll	
30	026005	2	Lager	Bearing	
31	031054	1	Shims	Shims	
32	026865	1	Seegerring	Circlip	
33	165136	1	Bolt	Bolt	
34	012292	1	Skrue	Screw	
35	155925	1	Hylse	Sleeve	
36	026062	2	Lager	Bearing	
37	165146	1	Trinse	Pulley	
38	026900	1	Seegerring	Circlip	
39	012311	1	Mutter	Nuts	
40	165134	1	Bolt	Bolt	
41	165144	1	Strammebolt	Tighten bolt	
42	027228	1	Fjær	Spring	
43	165142	1	Strammeskru	Tighten screw	
44	165140	1	Mutter, spesial	Nut special	
45	025090	1	Pakningssett, kpl.	Gasket sets	

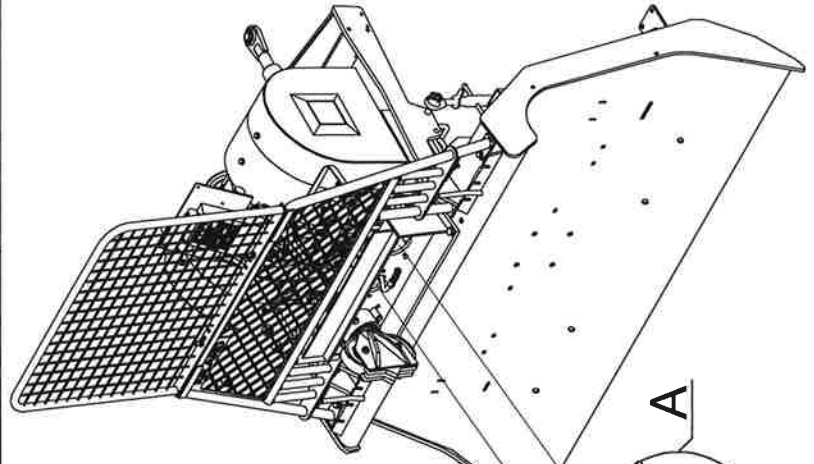
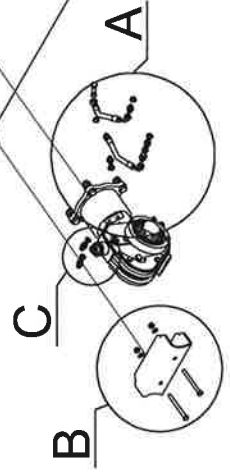
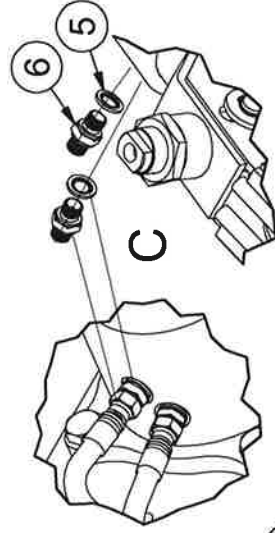
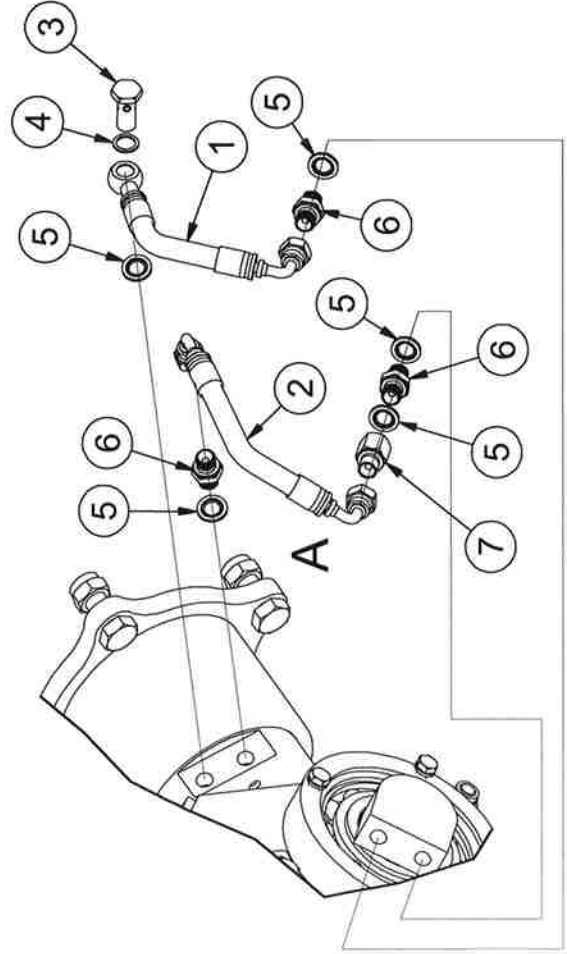
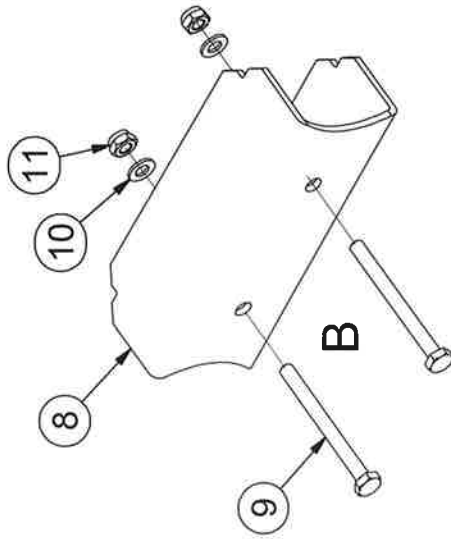
RESERVEDELSLISTE - SPARE PARTS LIST - ERSATZTEILLISTE

Pos	Art.No.	No	Beskrivelse	Description	Bezeichnung
1	057342	2	Slange	Hose	
2	057311	1	Slange	Hose	
3	017578	1	Slangebeskyttelse Slange A/B	Hoseprotection hose A/B	
4	017575	1	Slangebeskyttelse Slange T	Hoseprotection hose T	
5	165160	1	Kabel m/ kontakter	Cable w/ contacts	



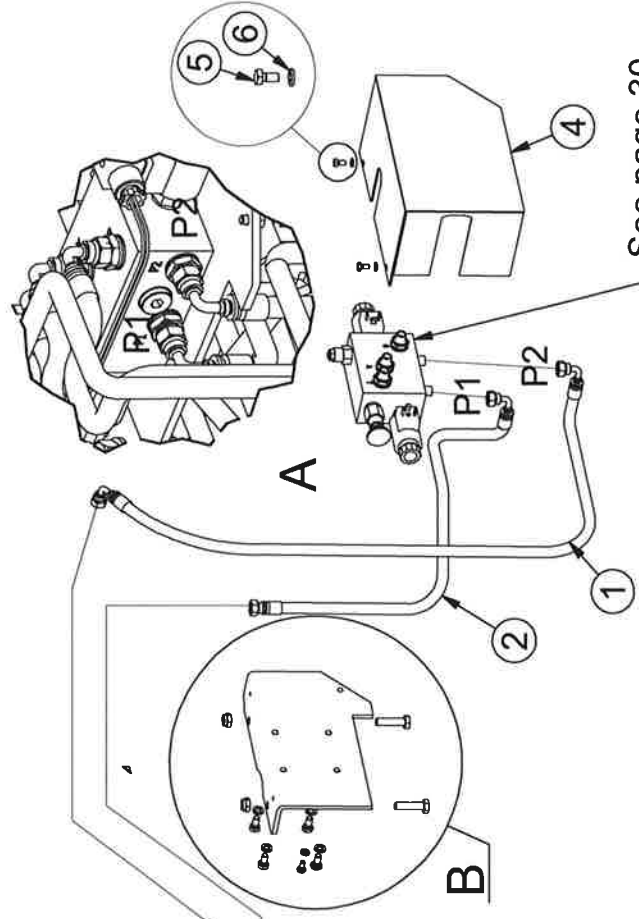
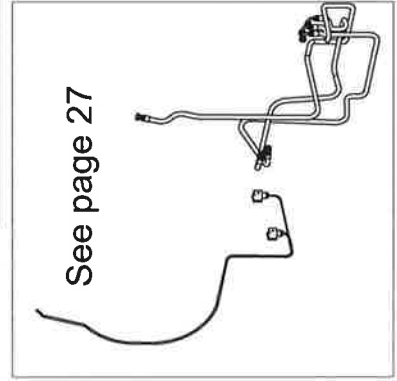
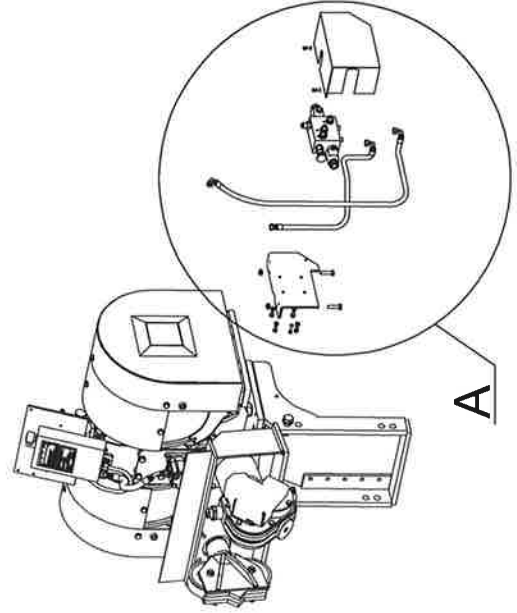
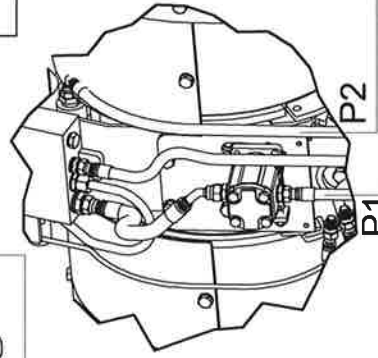
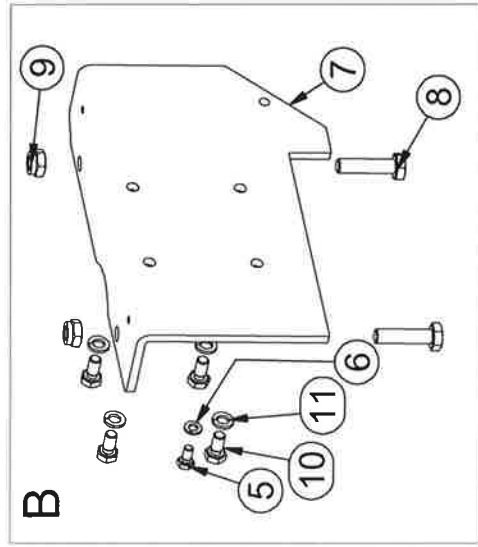
RESERVEDELSLISTE - SPARE PARTS LIST - ERSATZTELLISTE

Pos	Art.No.	No	Beskrivelse	Description	Bezeichnung
1	057455	1	Slange	Hose	
2	057633	1	Slange	Hose	
3	055071	1	Banjobolt	Banjo bolt	
4	023557	1	Kobberskive	Copper washer	
5	04-714-1	7	Skive m/gummipakning	Washer	
6	04-8001	5	Nippel, overgang	Nipple	
7	04-7200	1	Nippel, overgang	Nipple	
8	165185	1	Deksel	Cover	
9	012216	2	Skrue	Screw	
10	012235	2	Skive	Washer	
11	012231	2	Mutter	Nut	



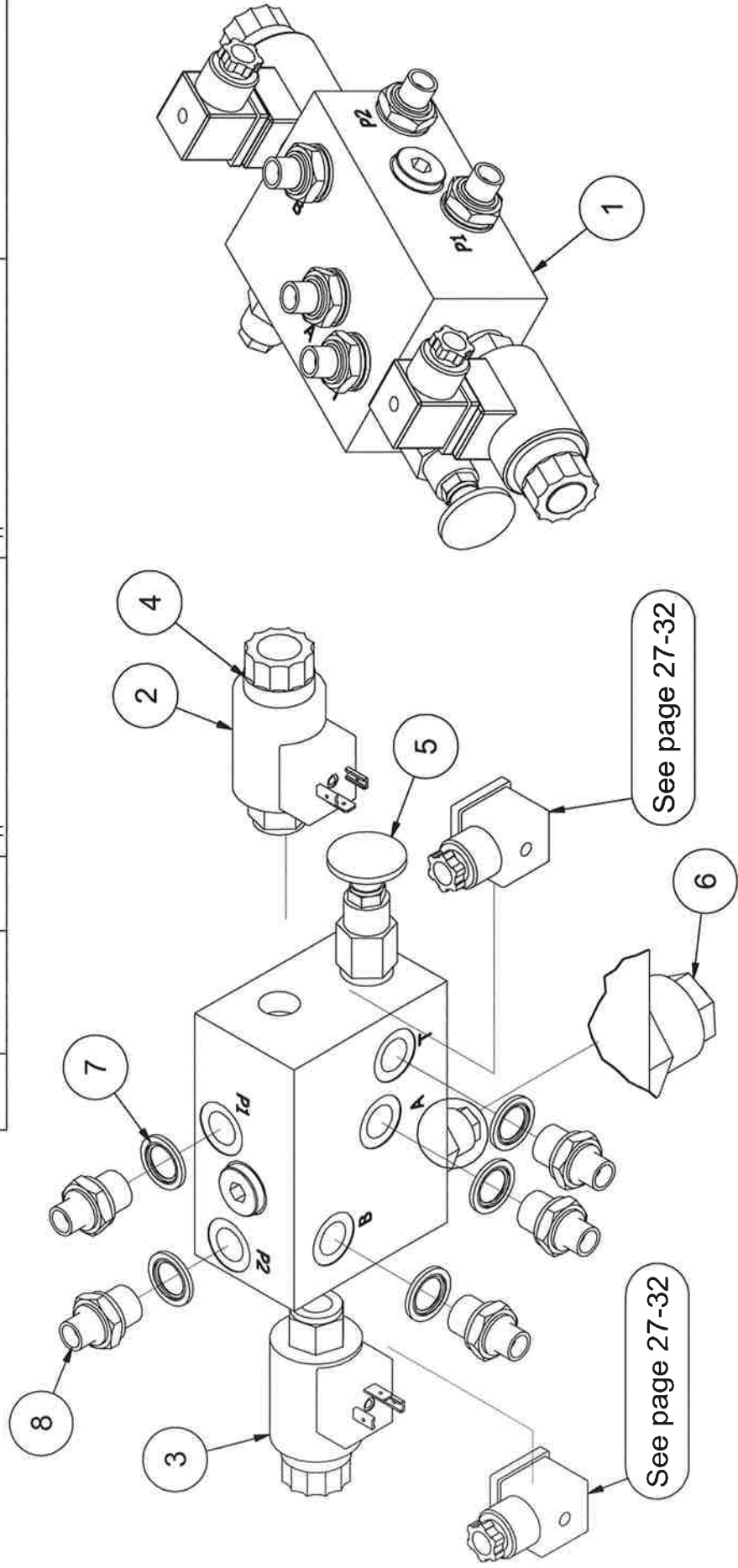
RESERVEDELSLISTE - SPARE PARTS LIST - ERSATZTEILLISTE

Pos	Art.No.	No	Beskrivelse	Description	Bezeichnung
1	057634	1	Slange	Hose	
2	057341	1	Slange	Hose	
3	017575	1	Slangebeskyttelse	Hoseprotection	
4	165114	1	Deksel	Cover	
5	012676	3	Skrue	Screw	
6	012115	4	Skive	Washer	
7	165112	1	Brakett	Brackets	
8	012205	2	Skrue	Screw	
9	012231	2	Mutter	Nut	
10	012758	4	Skrue	Screw	
11	012195	4	Skive	Washer	



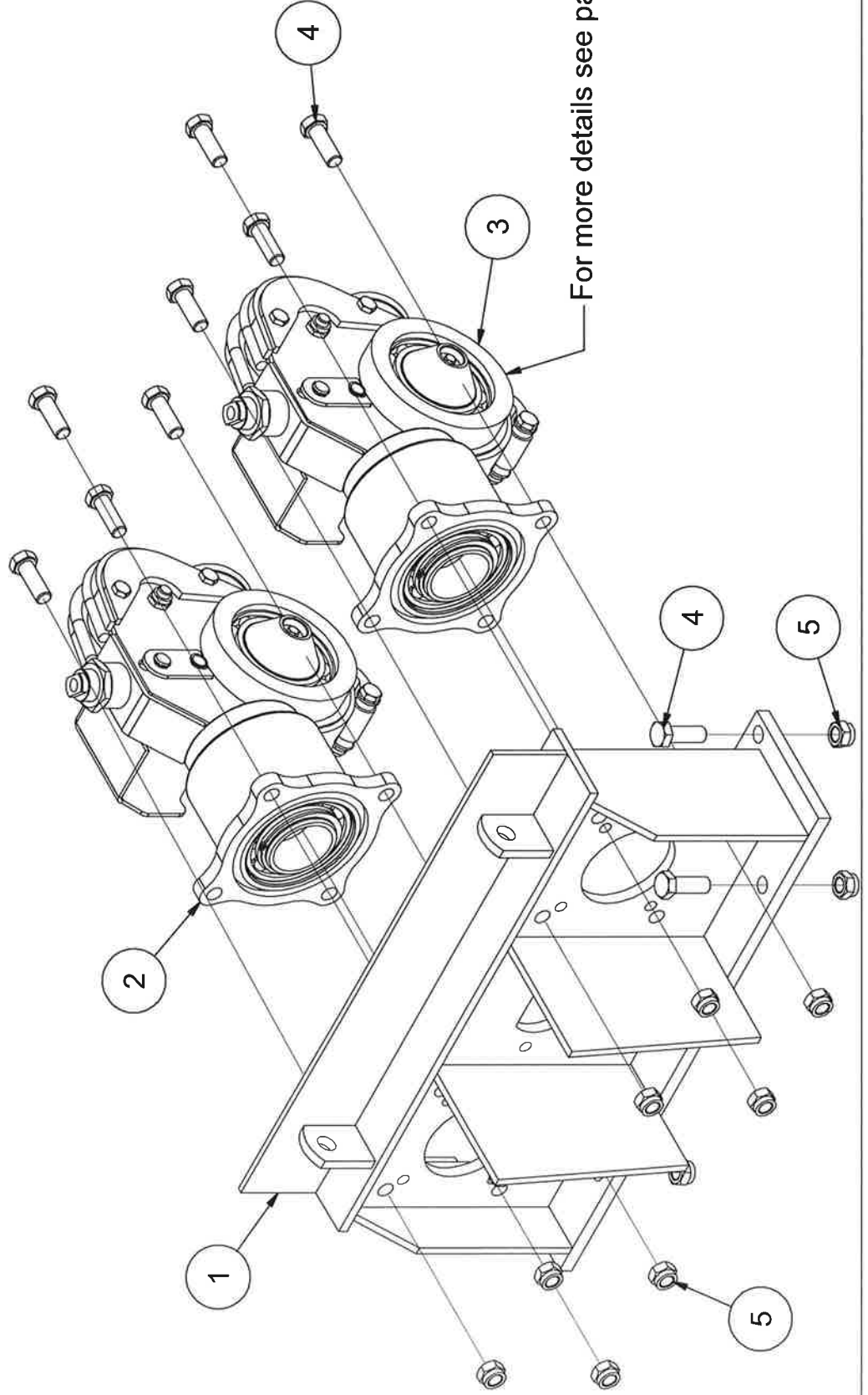
RESERVEDELSLISTE - SPARE PARTS LIST - ERSATZTEILLISTE

Pos	Art.No.	No	Beskrivelse	Description	Bezeichnung
1	164166	1	Ventilblokk, kpl.	Valveblock, compl.	
2	164172	1	Patron med spole, kpl.	Cartridge coil, compl.	
3	164173	1	Patron med spole, kpl.	Cartridge coil, compl.	
4	164171	1	Magnetspole	Solenoid	
5	164174	1	Trykkventil RDDA	Pressure valve	
6	164175	1	Trykkventil CCCA	Pressure valve	
7	04.714.2	5	Skive med gummipakning	Washer	
8	04.800.4	5	Nippel	Nipple	



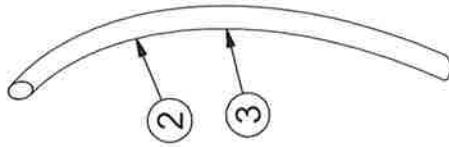
RESERVEDELSLISTE - SPARE PARTS LIST - ERSATZTEILLISTE

Pos	Art.No.	No	Beskrivelse	Description	Bezeichnung
1	075024	1	Propellerport holder	Propellers port	
2	165170	1	Pullmatic, sort, kpl.	Pullmatic, black, compl.	
3	165172	1	Pullmatic, rød, kpl.	Pullmatic, red, compl.	
4	012926	12	Skrue	Screw	
5	012350	12	Mutter	Nut	

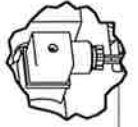
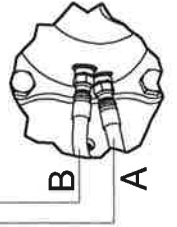
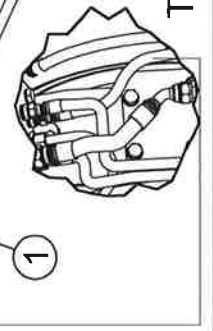
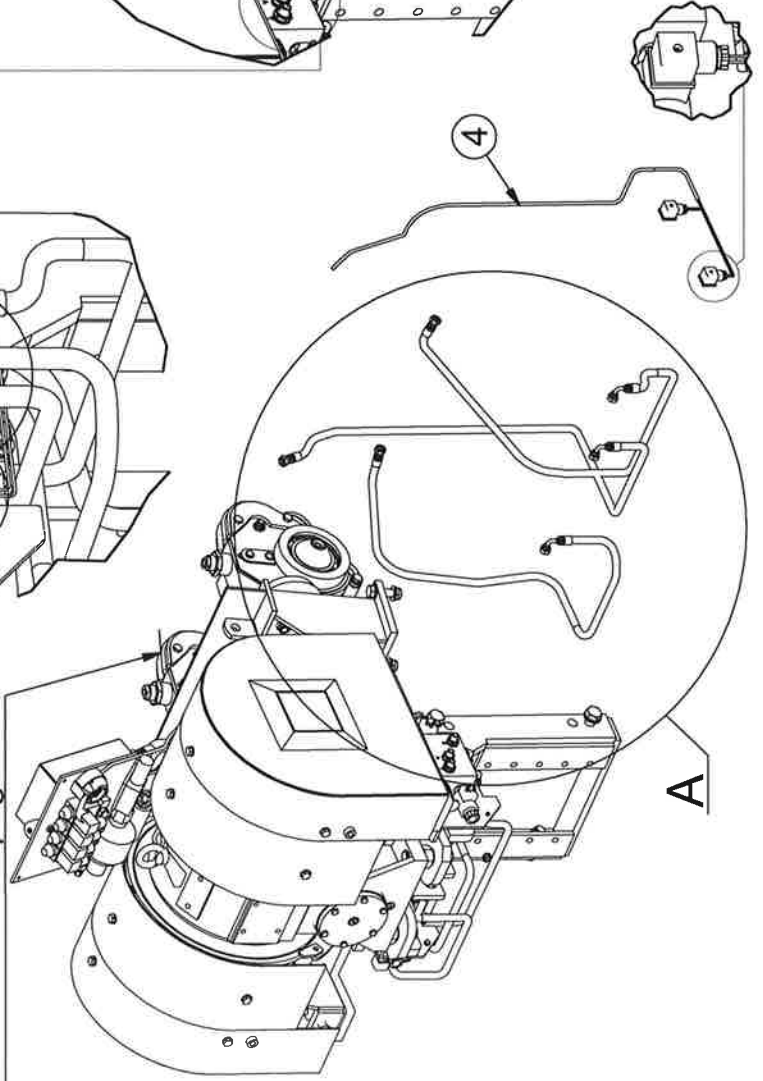
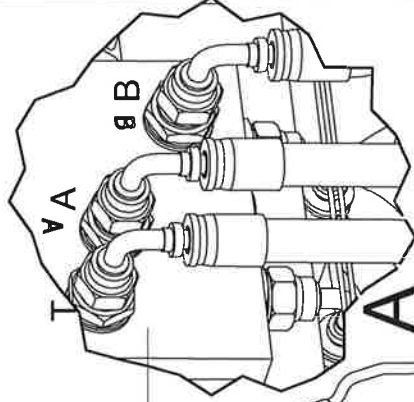
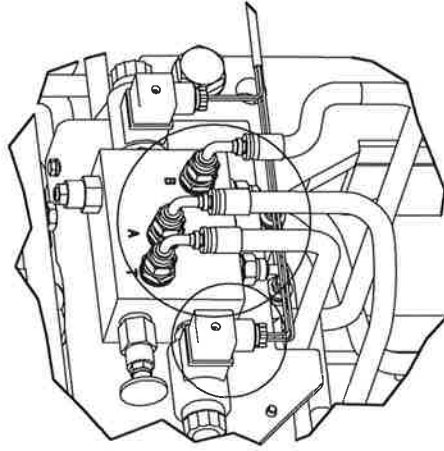


RESERVEDELSLISTE - SPARE PARTS LIST - ERSATZTEILLISTE

Pos	Art.No.	No	Beskrivelse	Description	Bezeichnung
1	057342	3	Slange	Hose	
2	017578	1	Slangebeskyttelse Slange A/B	Hoseprotection hose A/B	
3	017575	1	Slangebeskyttelse Slange T	Hoseprotection hose T	
4	165161	1	Kabel m/ kontakter	Cable w/contacts	

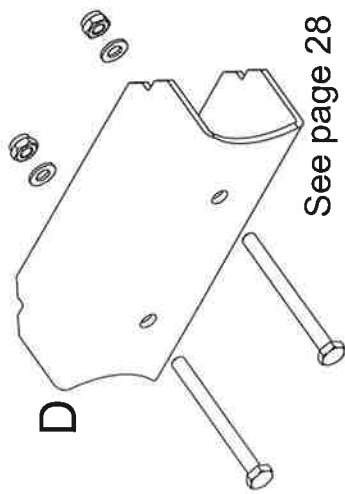


Black side see page 35

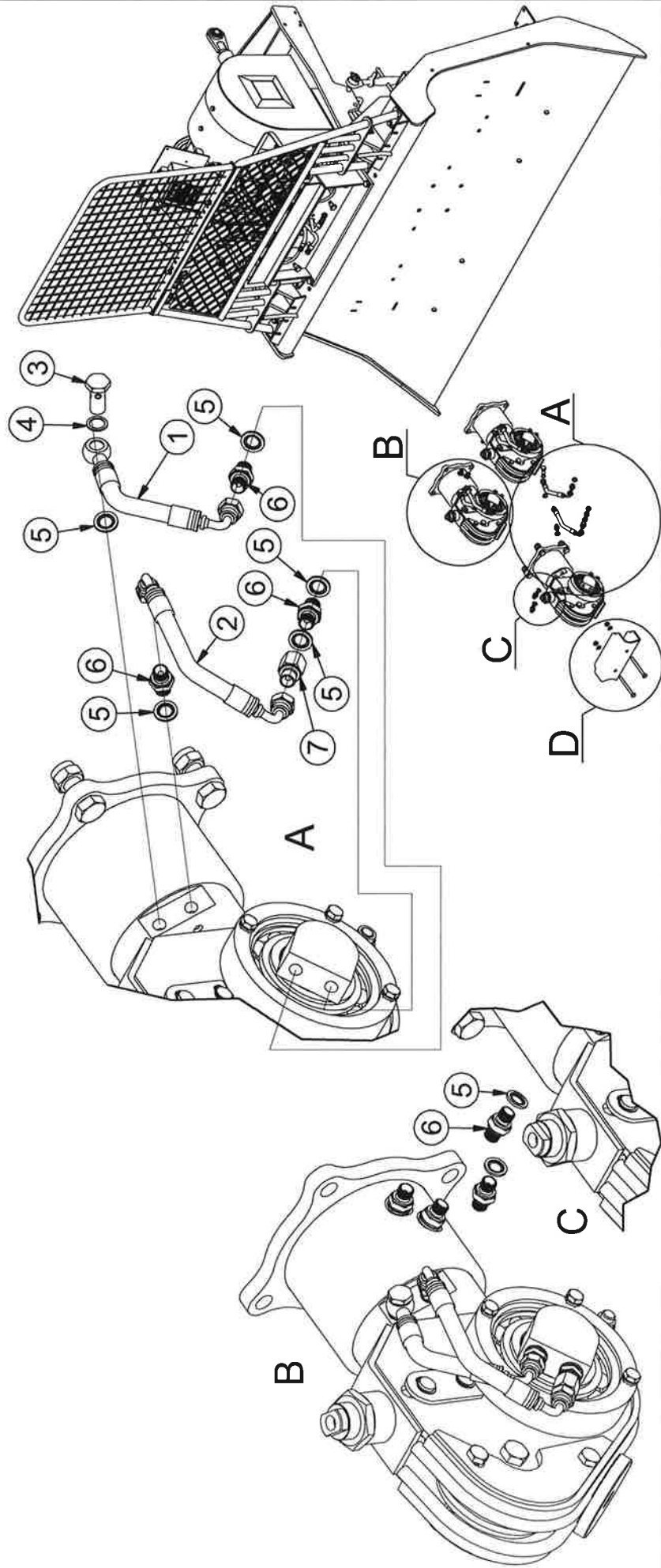


RESERVEDELSLISTE - SPARE PARTS LIST - ERSATZTEILLISTE

Pos	Art.No.	No	Beskrivelse	Description	Bezeichnung
1	057455	2	Slange	Hose	
2	057633	2	Slange	Hose	
3	055071	2	Banjobolt	Banjo bolt	
4	023557	12	Kobberskive	Copper washer	
5	047141	14	Skive m/gummipakning	Washer	
6	048001	10	Nippel, overgang	Nipple	
7	047200	2	Nippel, overgang	Nipple	

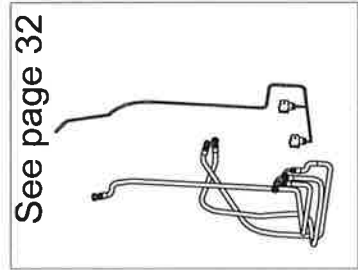
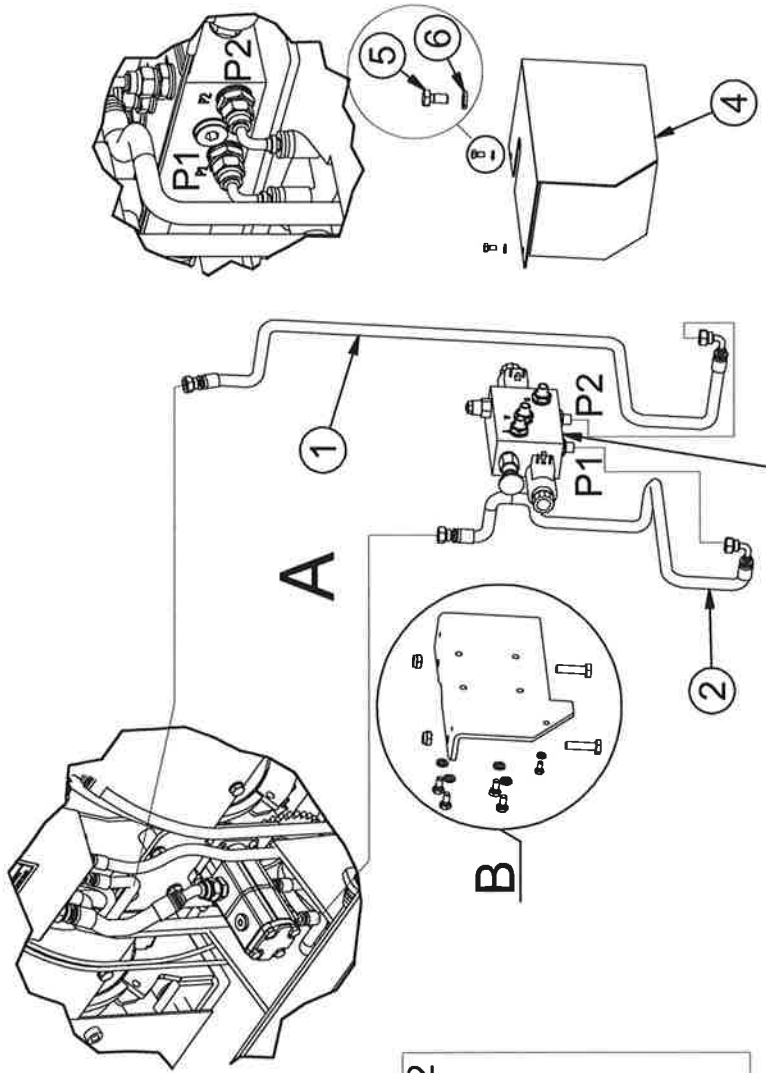
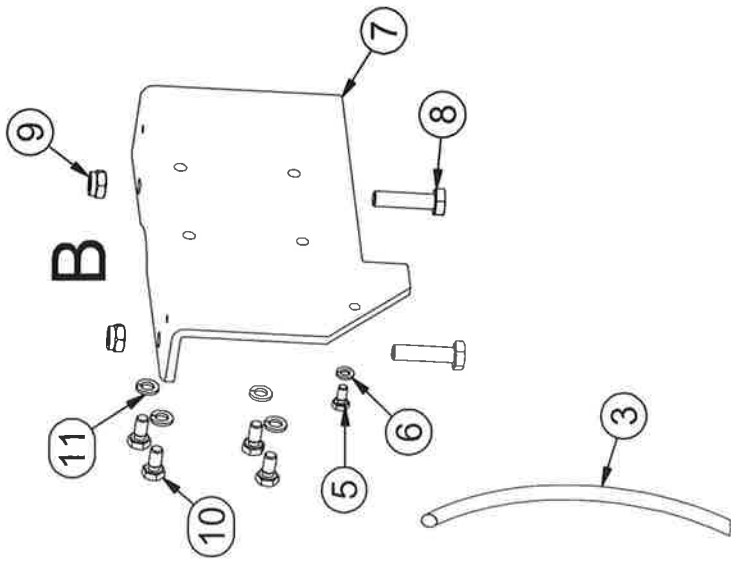


See page 28

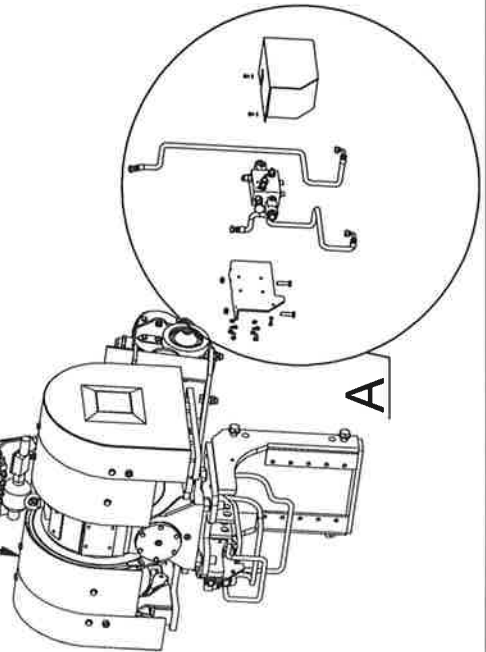


RESERVEDELSLISTE - SPARE PARTS LIST - ERSATZTEILLISTE

Pos	Art.No.	No	Beskrivelse	Description	Bezeichnung
1	057342	1	Slange	Hose	
2	057341	1	Slange	Hose	
3	017575	1	Slangebeskyttelse	Hoseprotection	
4	165115	1	Deksel	Cover	
5	012676	3	Skrue	Screw	
6	012115	3	Skive	Washer	
7	165113	1	Brakett	Brackets	
8	012205	2	Skrue	Screw	
9	012231	2	Mutter	Nut	
10	012758	4	Skrue	Screw	
11	012195	4	Skive	Washer	



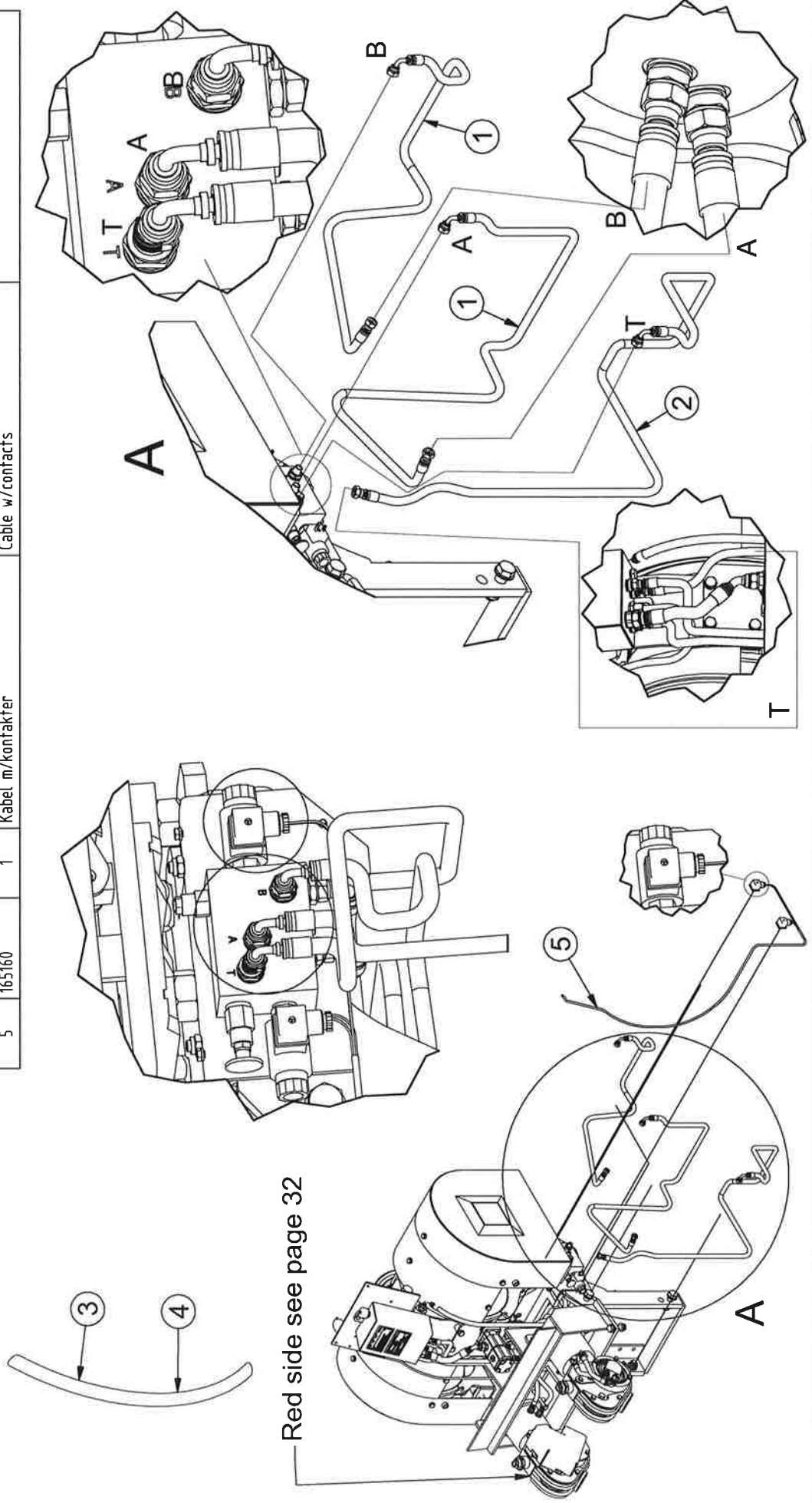
Black side see page 36



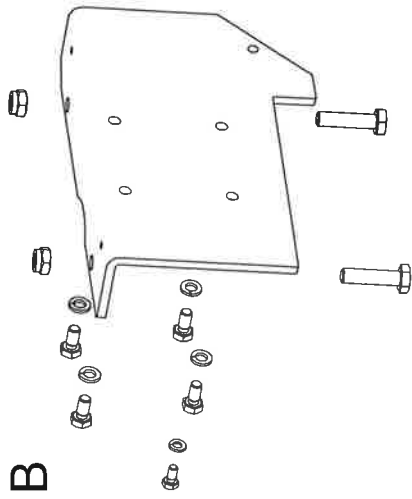
See page 30

RESERVEDELSLISTE - SPARE PARTS LIST - ERSATZTEILLISTE

Pos	Art.No.	No	Beskrivelse	Description	Bezeichnung
1	057342	2	Slange	Hose	
2	057311	1	Slange	Hose	
3	017578	1	Slangebeskytter Slange A/B	Hoseprotection hose A/B	
4	017575	1	Slangebeskytter Slange T	Hoseprotection hose T	
5	165160	1	Kabel m/kontakter	Cable w/contacts	

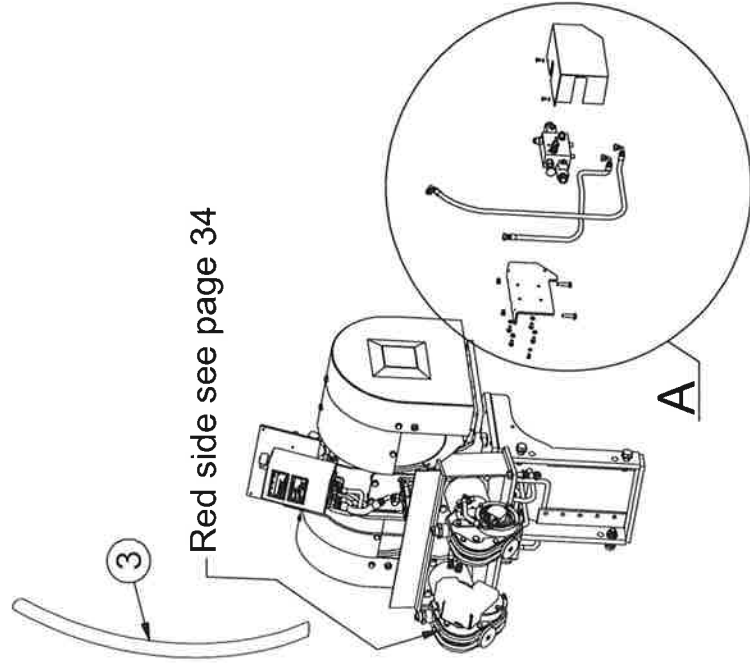


Red side see page 32

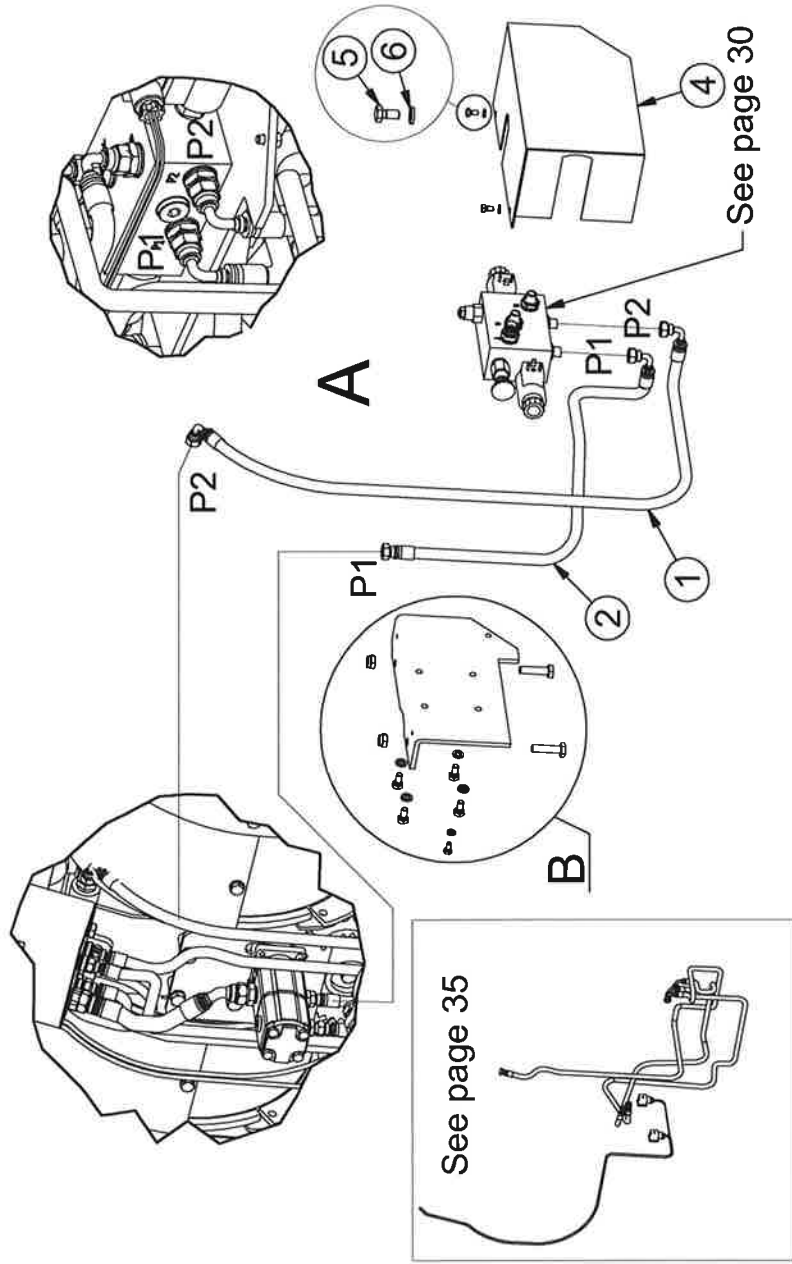


See page 29

RESERVEDELSLISTE - SPARE PARTS LIST - ERSATZTEILLISTE					
Pos	Art.No.	No	Beskrivelse	Description	Bezeichnung
1	057634	1	Slange	Hose	
2	057341	1	Slange	Hose	
3	017575	1	Slangebeskyttelse	Hoseprotection	
4	165114	1	Deksel	Cover	
5	012676	1	Skrue	Screw	
6	012115	1	Skive	Washer	



Red side see page 34

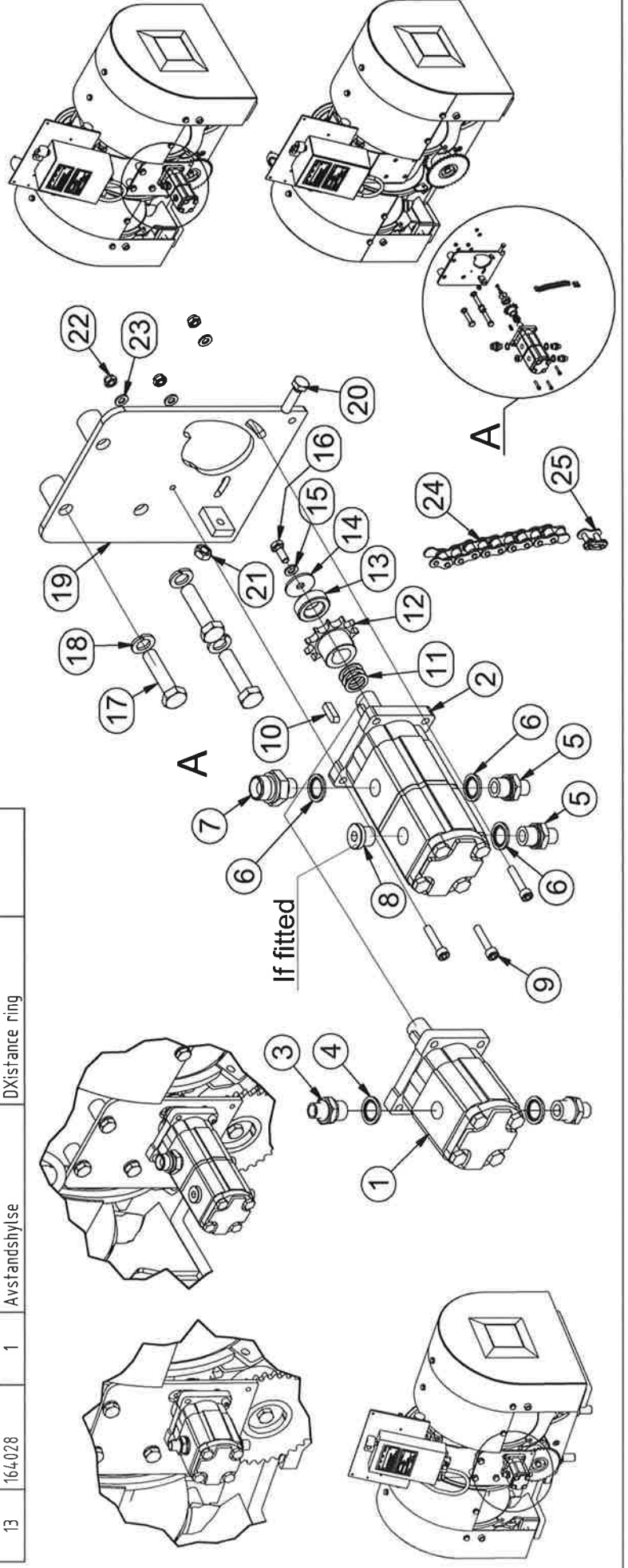


See page 35

See page 30

RESERVEDELSLISTE - SPARE PARTS LIST - ERSATZTEILLISTE			RESERVEDELSLISTE - SPARE PARTS LIST - ERSATZTEILLISTE		
Pos	Art.No.	Beskrivelse	Description	Bezeichnung	
1	083031	1	Oljepumpe 1stk pullmatic		
2	083032	1	Oljepumpe 2 stk pullmatic		
3	048004	2	Nippel		
4	047142	2	Skive		
5	048004	2	Nippel		
6	047142	3	Skive		
7	048010	1	Nippel		
8	049727	1	Plugg		
9	015838	3	Skrue		
10	083003	1	Kile		
11	030684	2	Shims		
12	062322	1	kjedehjul 1/2" 11 tenner	Chainwheel 1/2" 11 t	
13	164028	1	Avstandshylse	DXistance ring	

RESERVEDELSLISTE - SPARE PARTS LIST - ERSATZTEILLISTE			RESERVEDELSLISTE - SPARE PARTS LIST - ERSATZTEILLISTE		
Pos	Art.No.	No	Beskrivelse	Description	Bezeichnung
14	012113	1	Skive	Washer	
15	012115	1	Skive, spreng	Washer	
16	012678	1	Skrue	Screw	
17	012247	4	Skrue	Screw	
18	012275	4	Skive	Washer	
19	165044	1	Pumpebrakett	Pump bracket	
20	012763	1	Skrue	Screw	
21	012197	1	Mutter	Nut	
22	012118	3	Mutter	Nut	
23	012114	4	Skive	Washer	
24	208119	1	Kjede	Chain	
25	208100	1	Kjedelås	Chain lock	

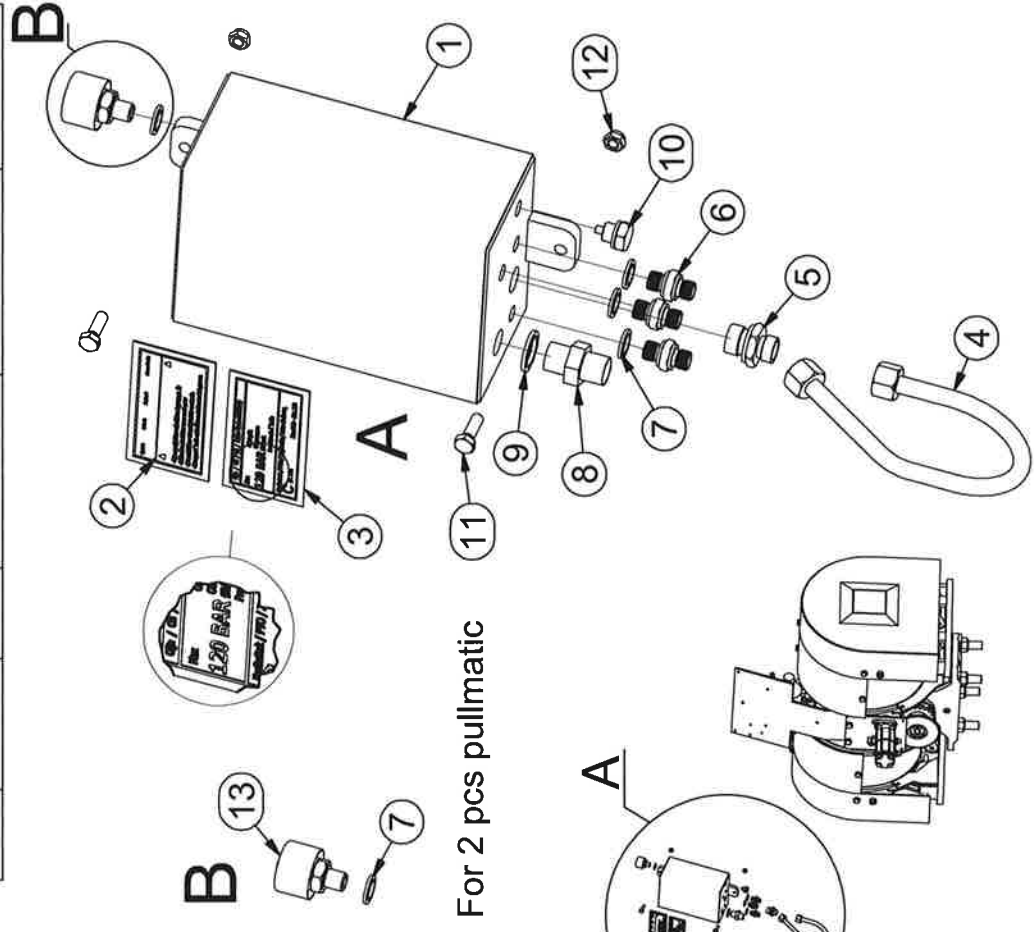
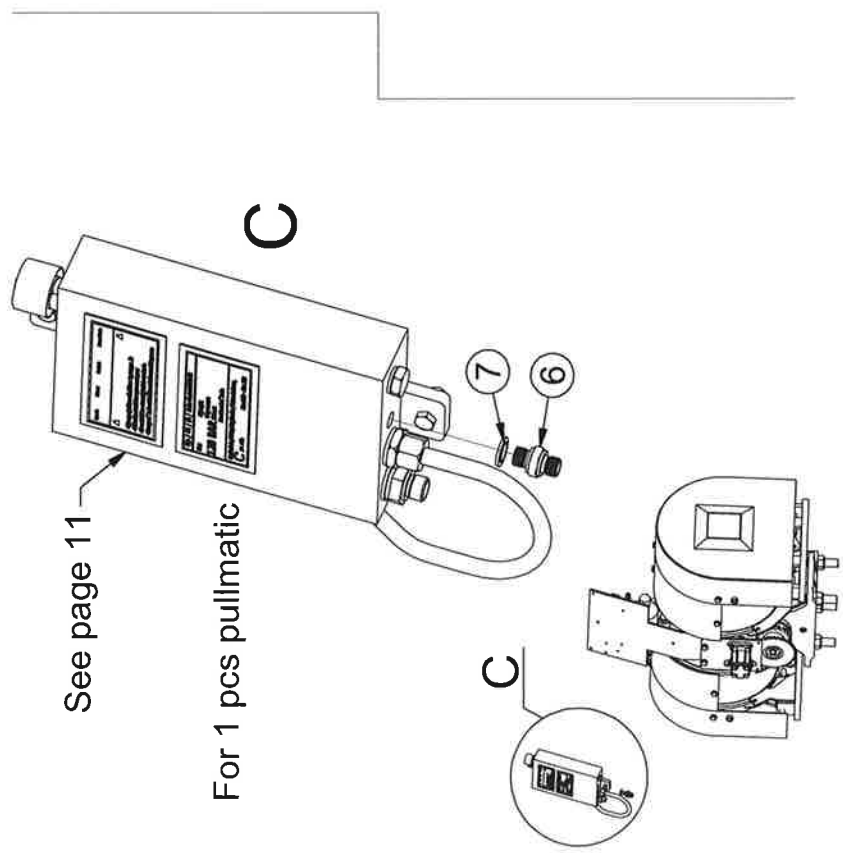


RESERVEDELSLISTE - SPARE PARTS LIST - ERSATZTEILLISTE

Pos	Art.No.	No	Beskrivelse	Description	Bezeichnung
1	165187	1	Oljetank	Oil tank	
2	391929	1	Klebmerke	Sticker	
3	391914	1	Klebmerke	Sticker	
4	165043	1	Rør	Tube	
5	034135	1	Snittringskobling	Cutringcoupler	
6	048001	1/3	Nippel 1 stk pullm./2 stk pullm.	Nipple	
7	047141	1/4	Skive 1 stk pullm./2 stk pullm.	Washer	
8	048014	1	Nippel	Nipple	

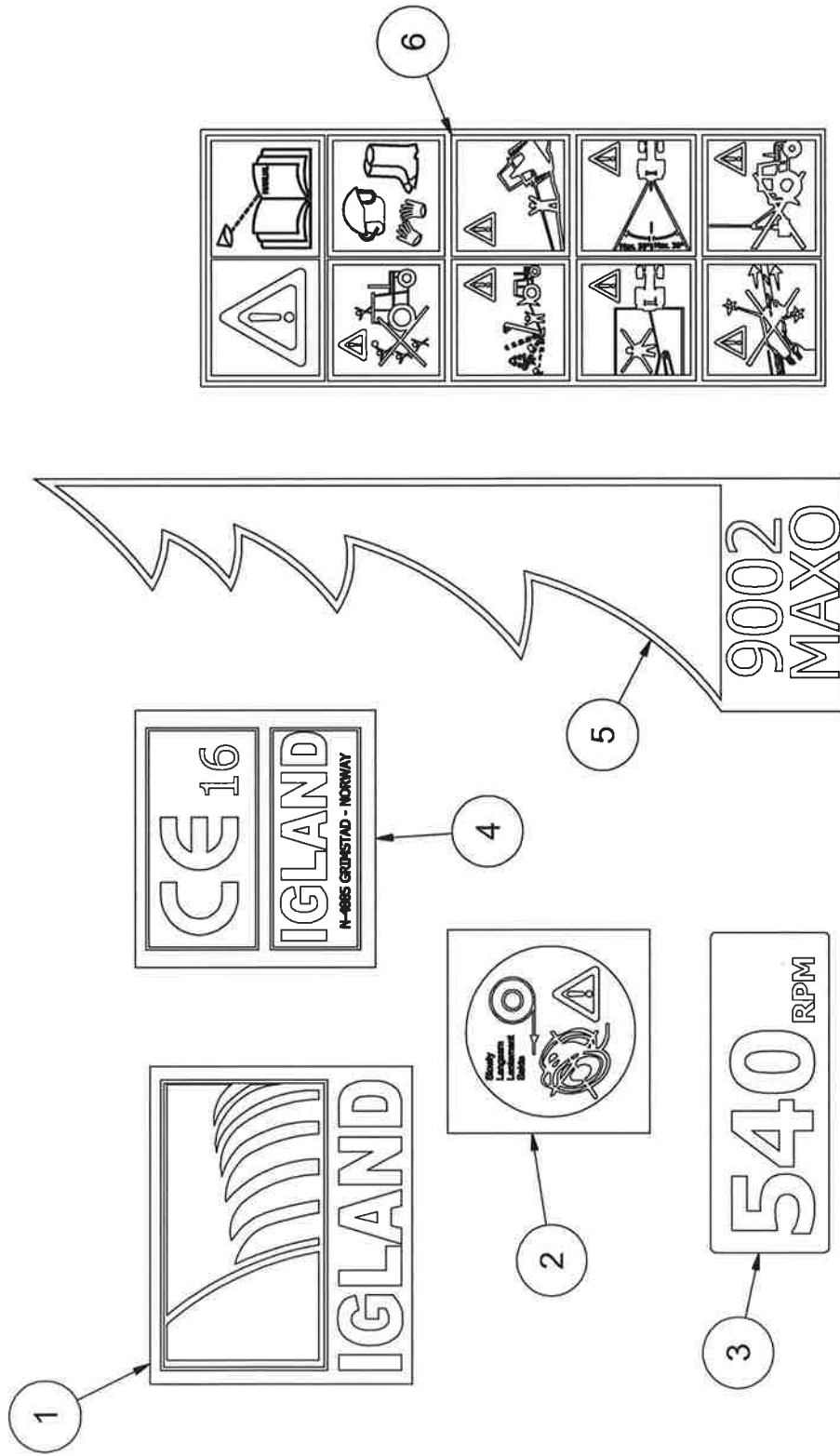
RESERVEDELSLISTE - SPARE PARTS LIST - ERSATZTEILLISTE

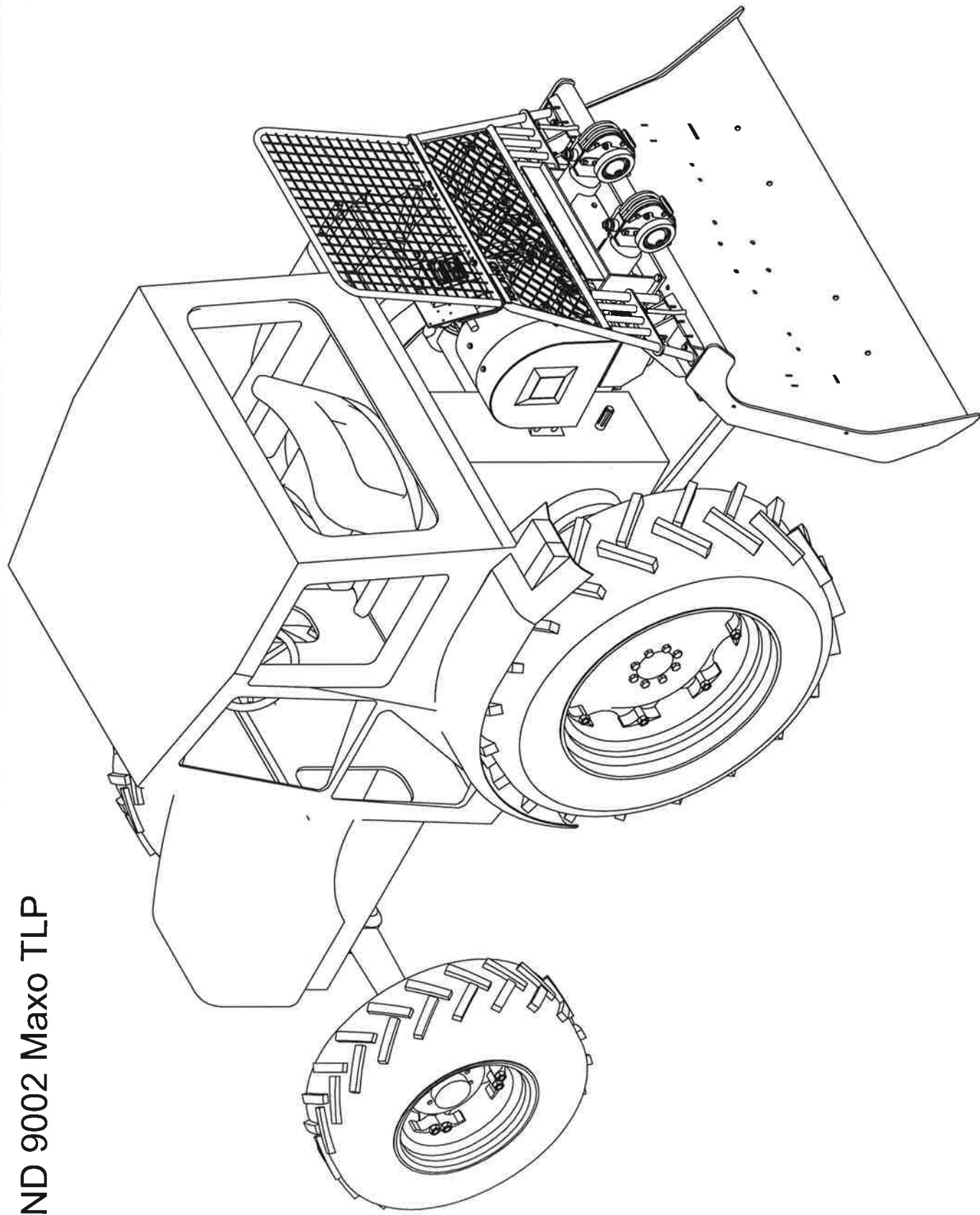
Pos	Art.No.	No	Beskrivelse	Description	Bezeichnung
9	047143	1	Skive	Washer	
10	049910	1	Plugg magnet	Plug magnet	
11	012762	2	Skrue	Screw	
12	012198	2	Mutter	Nut	
13	090085	1	Filter	Filter	



RESERVEDELSLISTE - SPARE PARTS LIST - ERSATZTEILLISTE

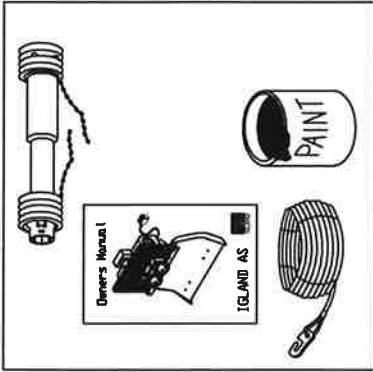
Pos	Art.No.	No	Beskrivelse	Description	Bezeichnung
1	390815	1	Klebmerke, IGLAND logo	Sticker, IGLAND logo	
2	391918	1	Klebmerke, sakte	Sticker, slowly	
3	391900	1	Klebmerke, 540 RPM	Sticker, 540 RPM	
4	392006	1	Klebmerke, CE (N/A)	Sticker, CE (N/A)	
5	391212	1	Klebmerke, 9002 Maxo	Sticker, 6002 Pronto TLP	
6	391931	1	Klebmerke, faremomenter	Sticker, hazards	





IGLAND 9002 Maxo TL, TLP IGLAND 9002 Maxo Top

Miscellaneous



WIRE ROPE, 6x26WS+IWRC 180 kp, 14 mm



WIRE ROPE, according to ISO 4254-4



- 023012 Red 400ml
- 023013 Black polished 400ml
- 023014 Black matte 400ml

