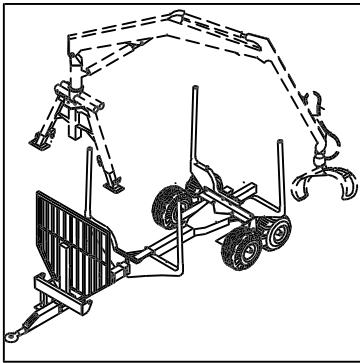
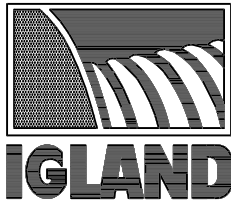


IGLAND 450 Swingtrac (Timber Trailer) Parts Catalogue

Serial No.: 450001 →



GENERAL INFO

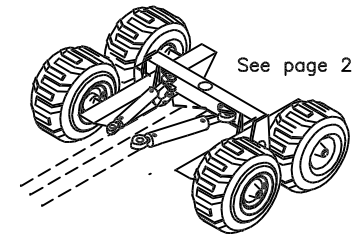
This Catalogue: P/N 390514

This Parts Catalogue consists of 16 numbered pages.

© IGLAND AS

- Gjengivelse av tekst og tegninger uten tillatelse forbudt.
- Reproduction of text or illustrations without permission is prohibited.
- Eine Wiedergabe von Texten und Zeichnungen ohne unsere Genehmigung ist nicht gestattet.
- Interdiction de toute reproduction de textes ou d'illustrations sans autorisation préalable.

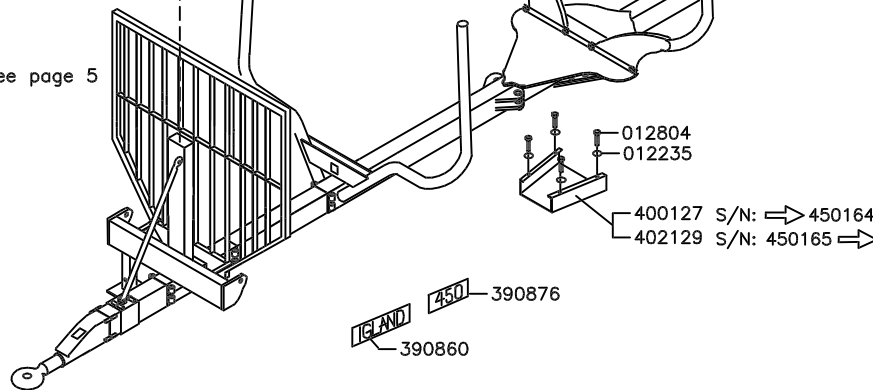
See separate Parts Catalogue



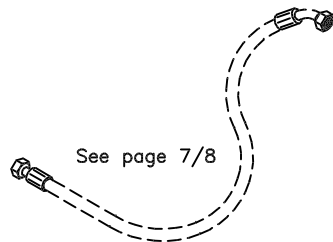
See page 2

Current version

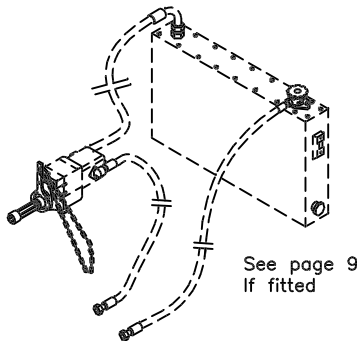
See page 5



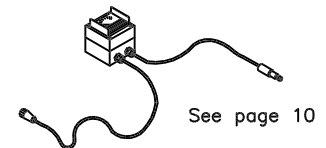
See page 5



See page 7/8



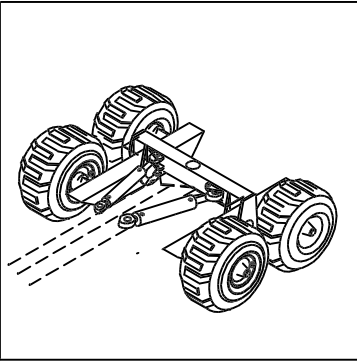
See page 9
If fitted



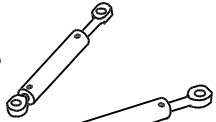
See page 10

Approved:	Revised: øi 26.06.03
	Issued: ÅIS 10.10.96

IGLAND 450 Swingtrac

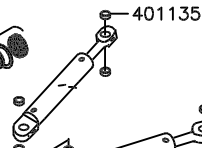


025009
Early
version

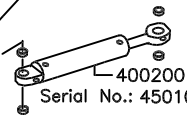


—400130
Serial No.: 450101
⇒ 450104
N/A, use P/N 400200

025014
Current
version

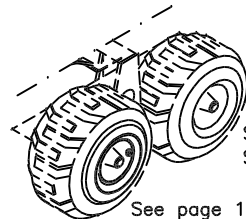
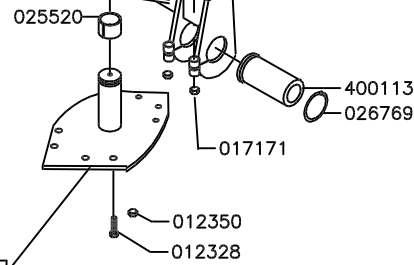
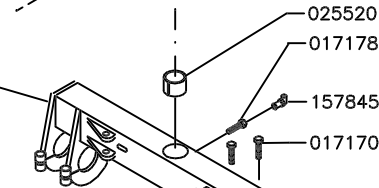
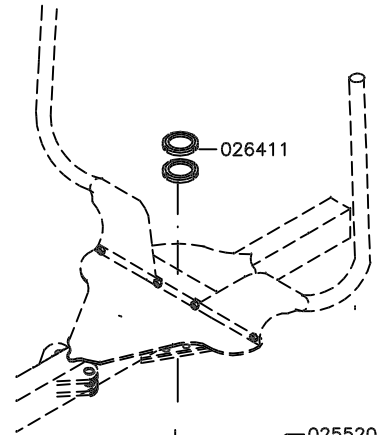


012205
020185
012231



S/N: ⇒ 450164 400109
S/N: 450165 ⇒ 402138

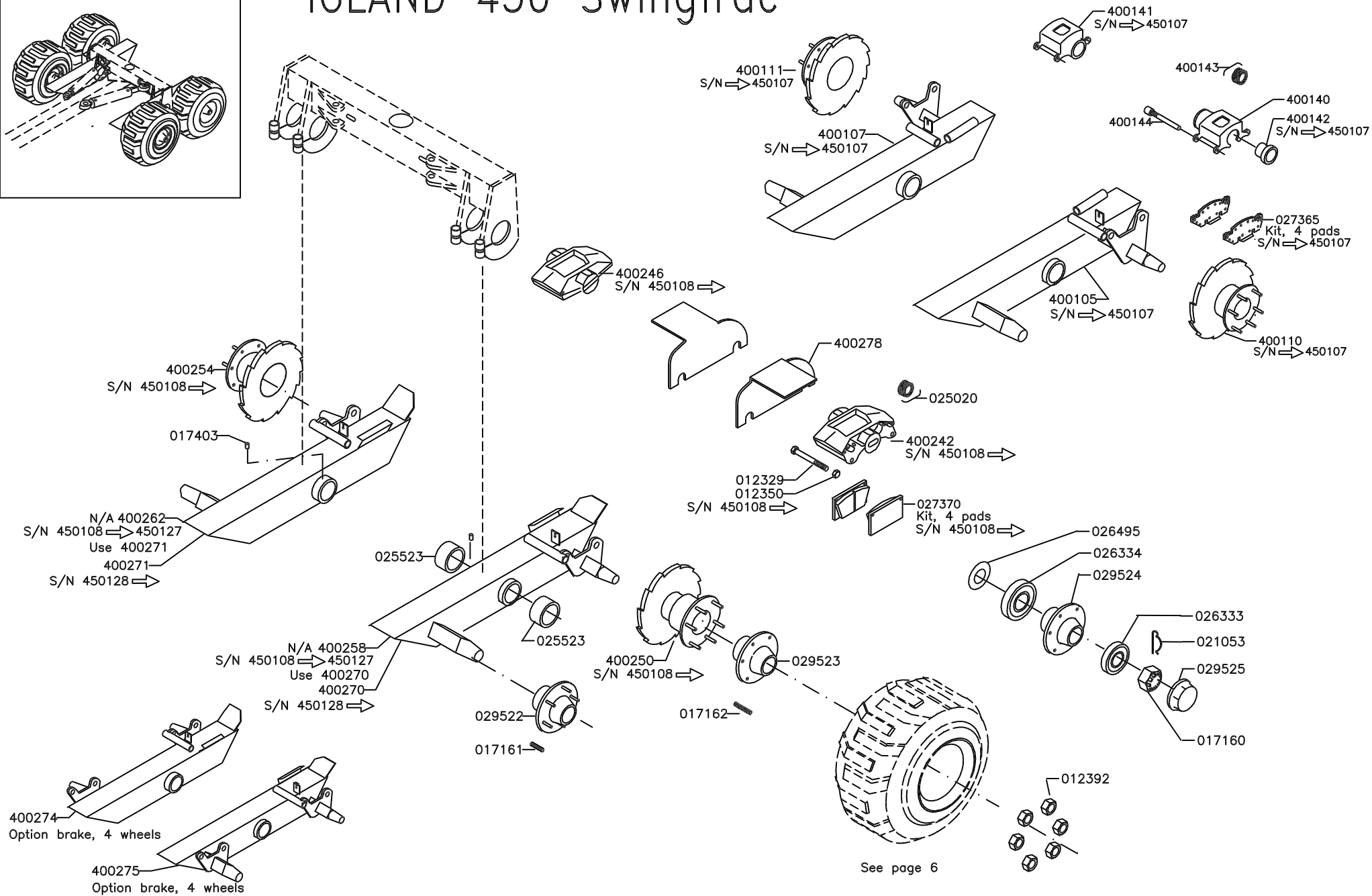
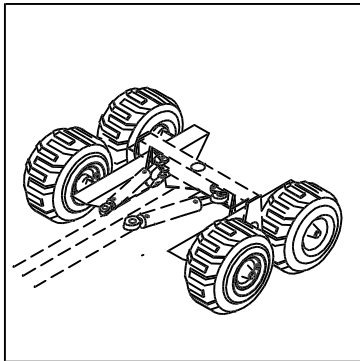
S/N: ⇒ 450164 400103
S/N: 450165 ⇒ 402135



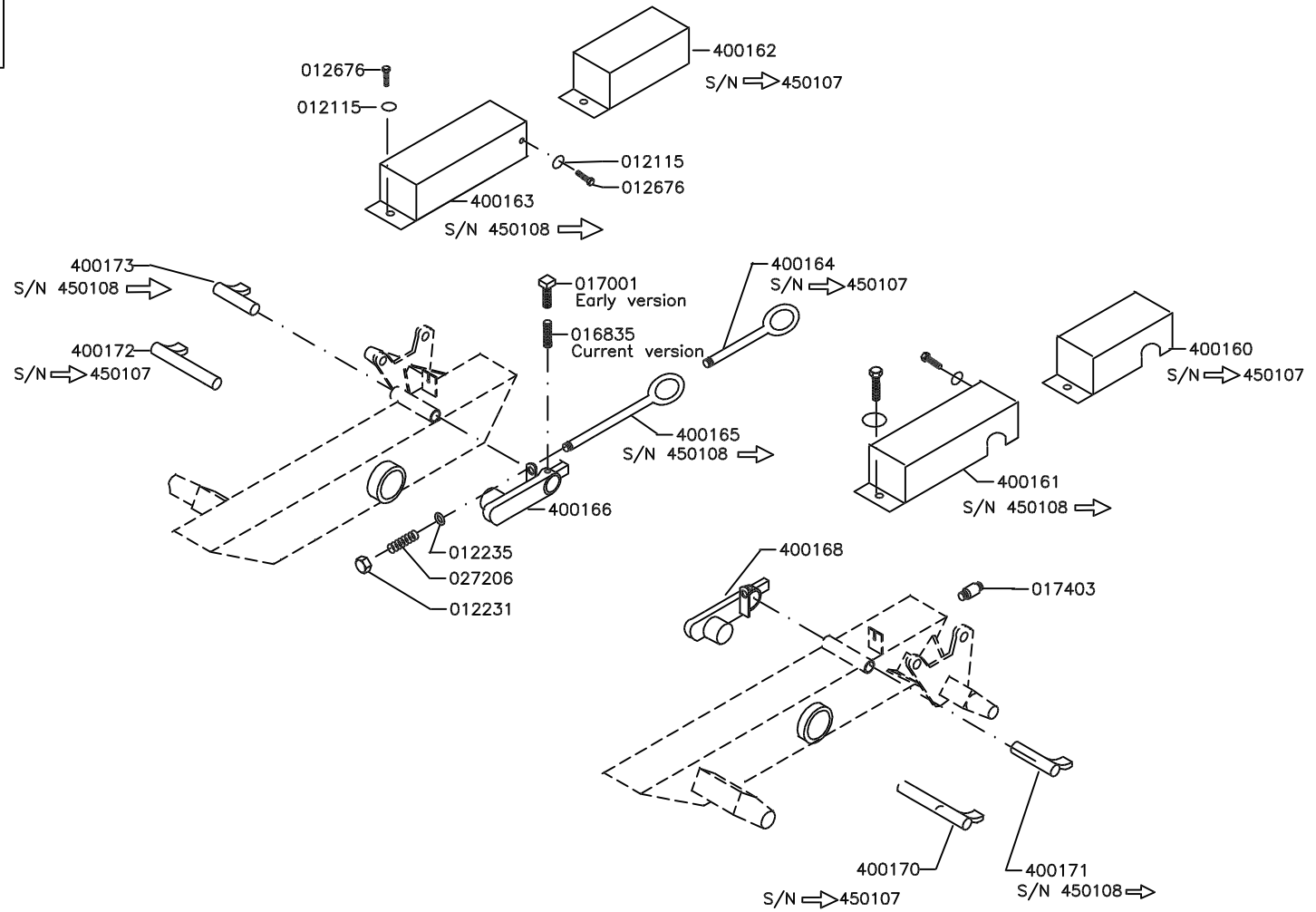
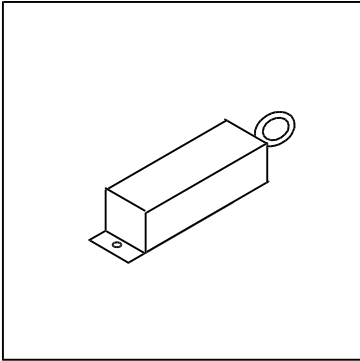
See page 3
Standard

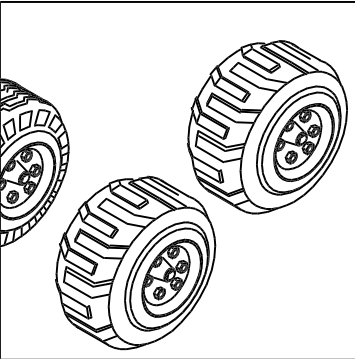
See page 11
Hydraulic drive

IGLAND 450 Swingtrac



IGLAND 450 Swingtrac





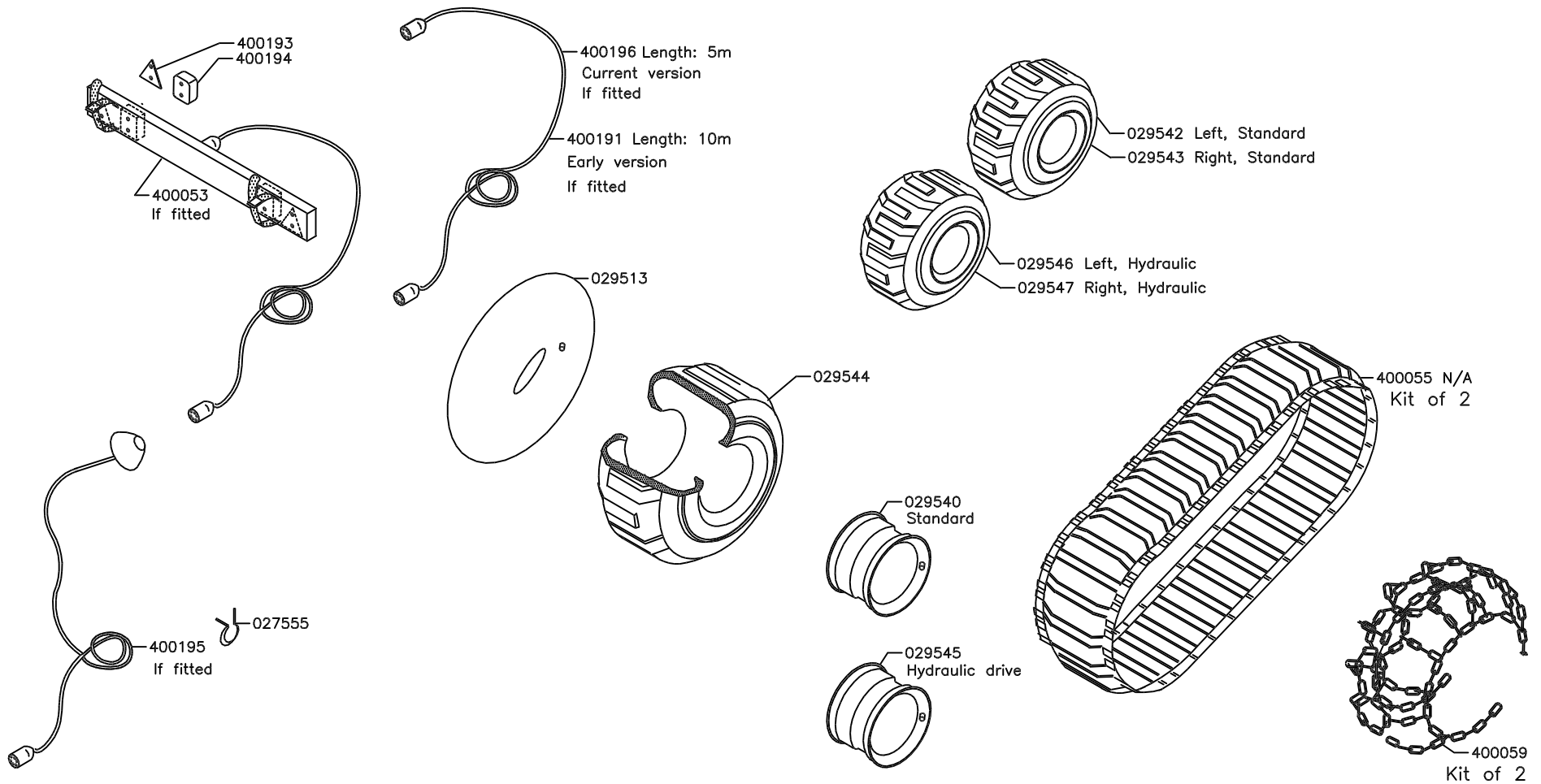
IGLAND 450 Swingtrac

Wheels

Chains (Accessories): 400059

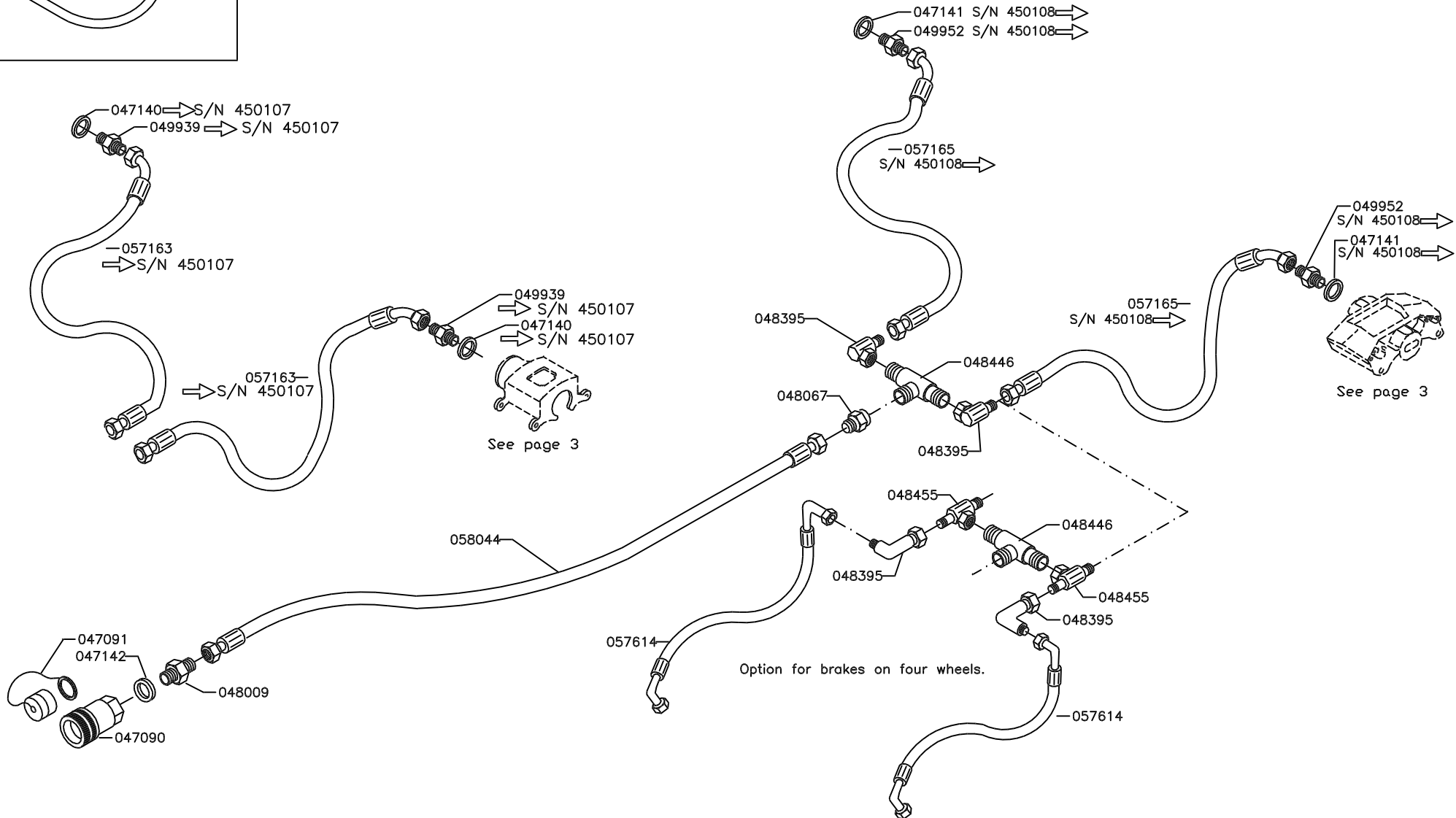
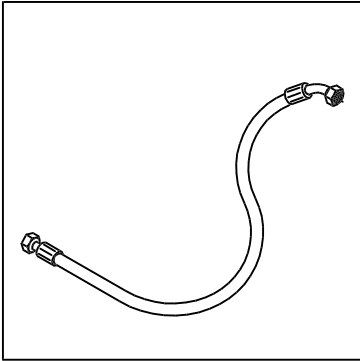
Belts (Accessories): 400055 N/A

Rear Light Bracket (Accessories): 400053



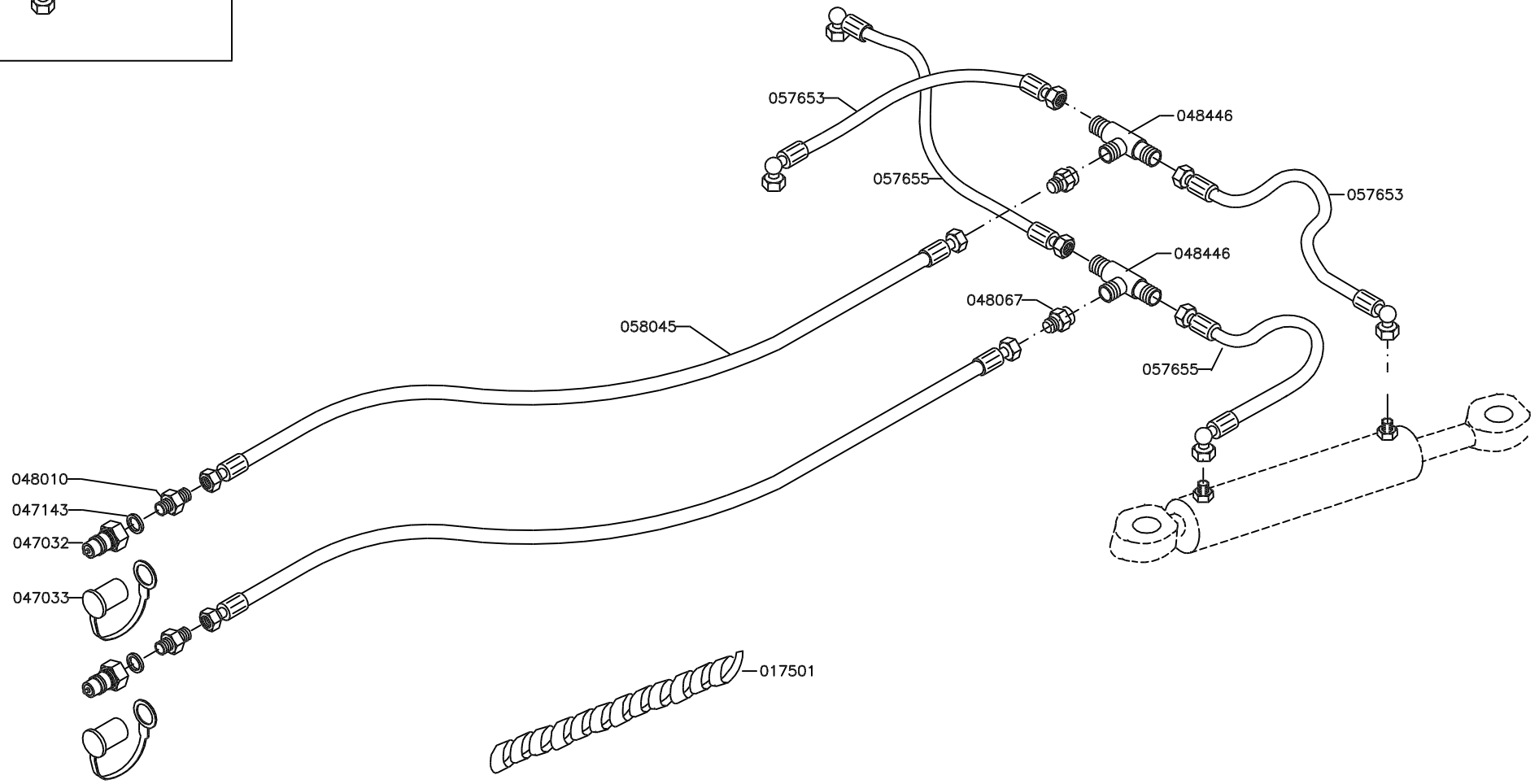
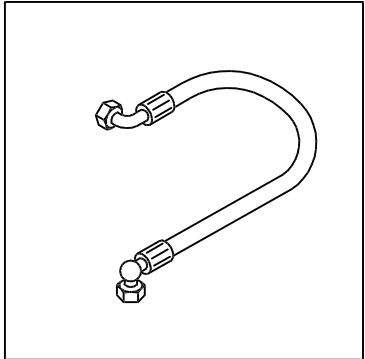
IGLAND 450 Swingtrac

HOSES FOR BRAKES

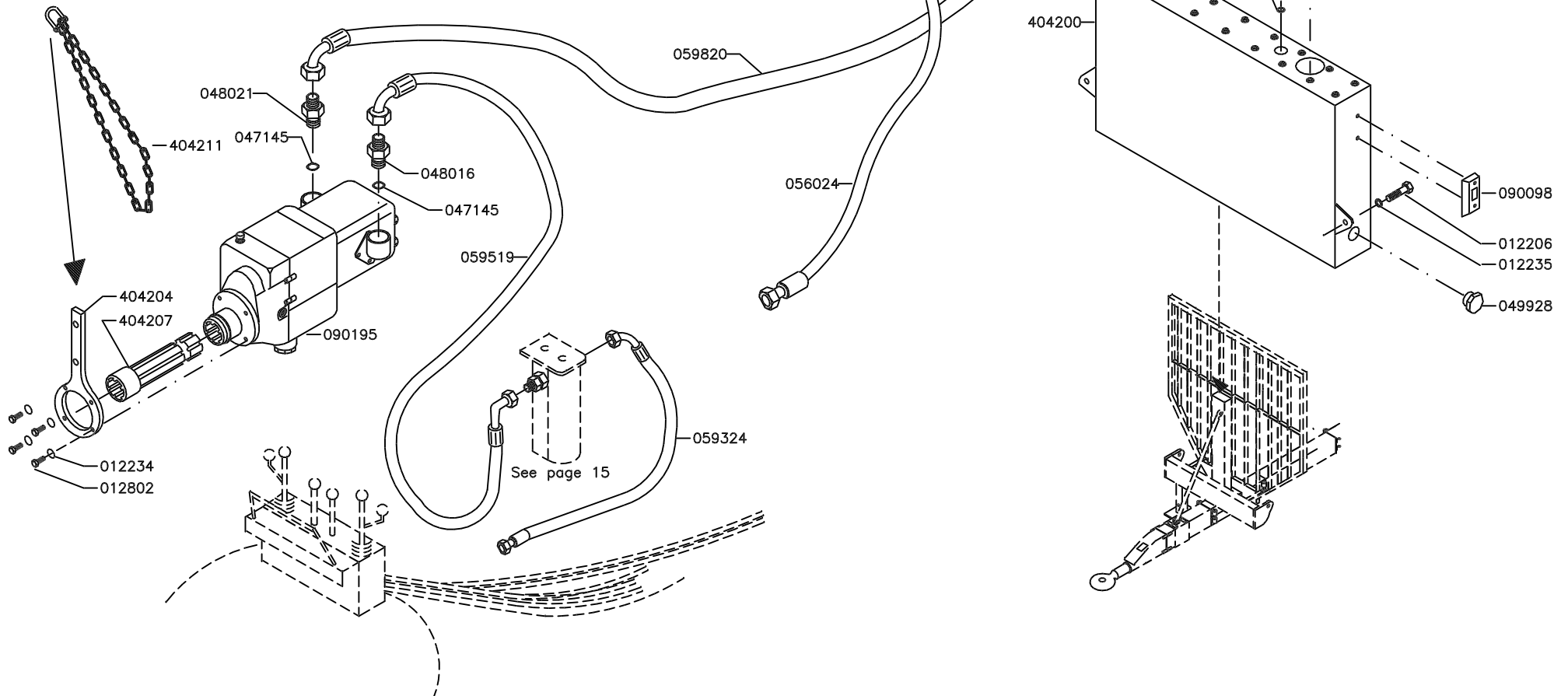
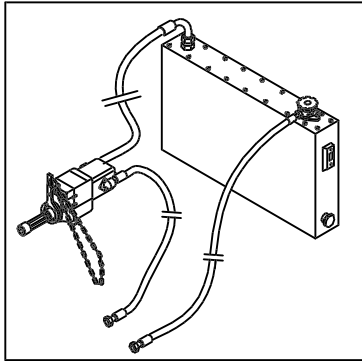


IGLAND 450 Swingtrac

HOSES FOR STEERING

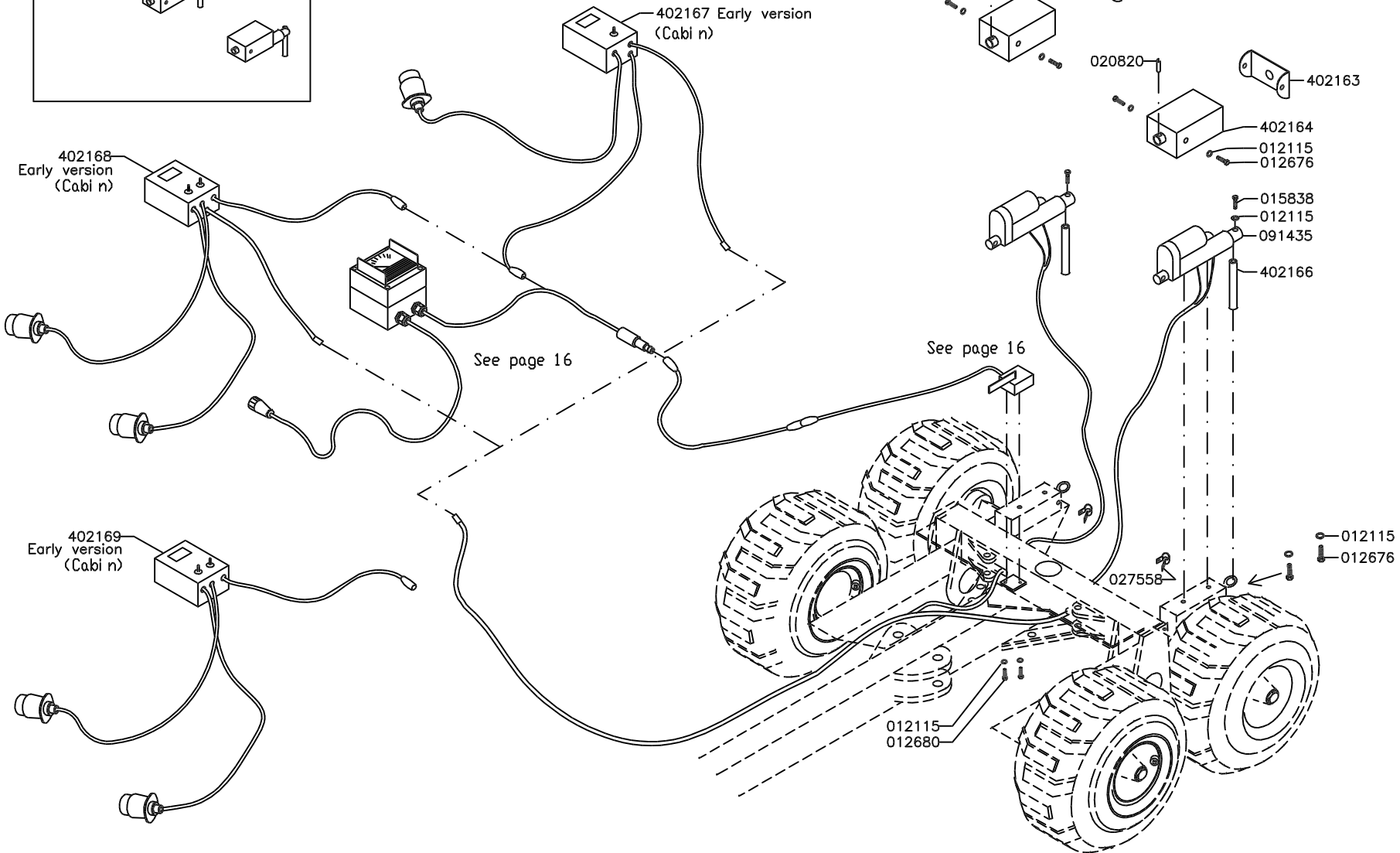
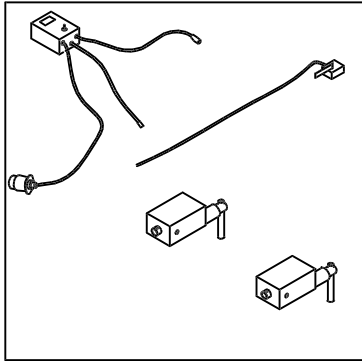


IGLAND 450 Swingtrac Oil Pump and Tank Option



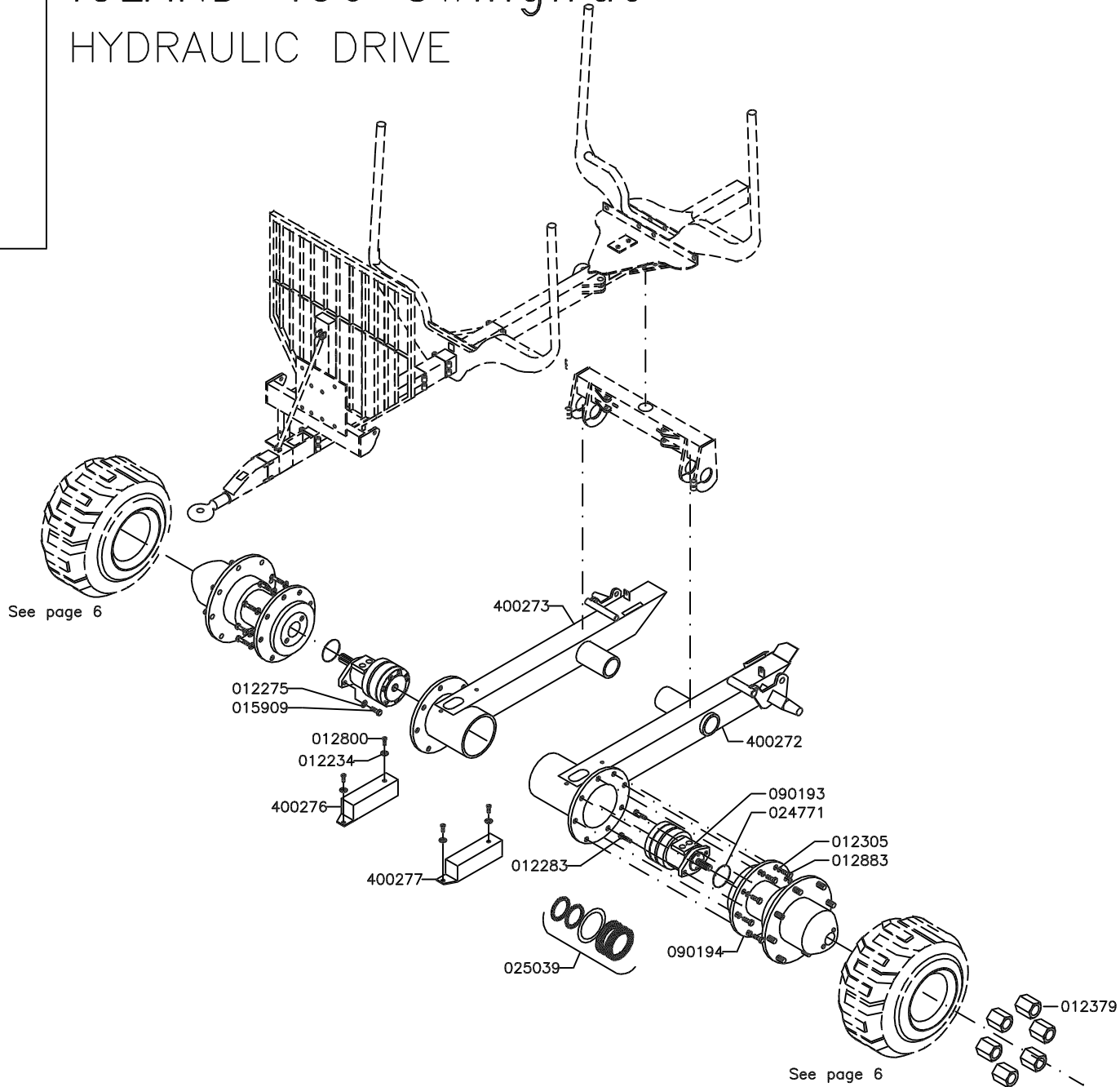
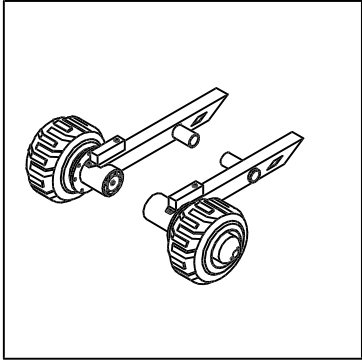
IGLAND 450 Swingtrac

Swing Actuator Option



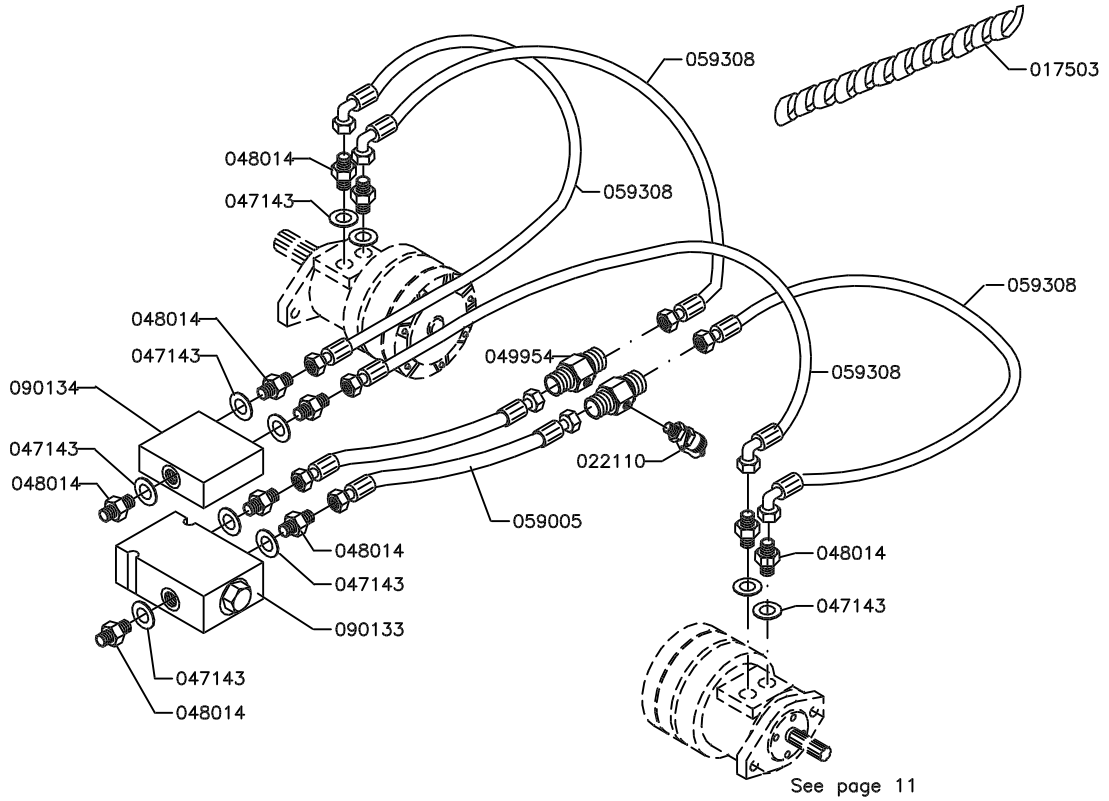
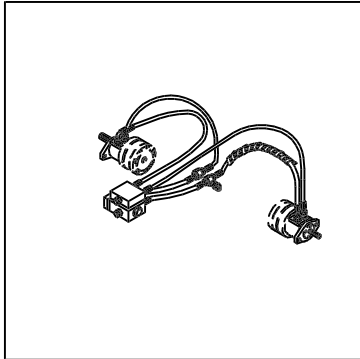
IGLAND 450 Swingtrac

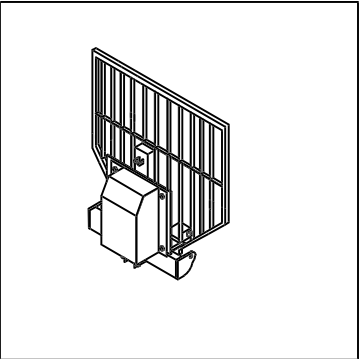
HYDRAULIC DRIVE



IGLAND 450 Swingtrac

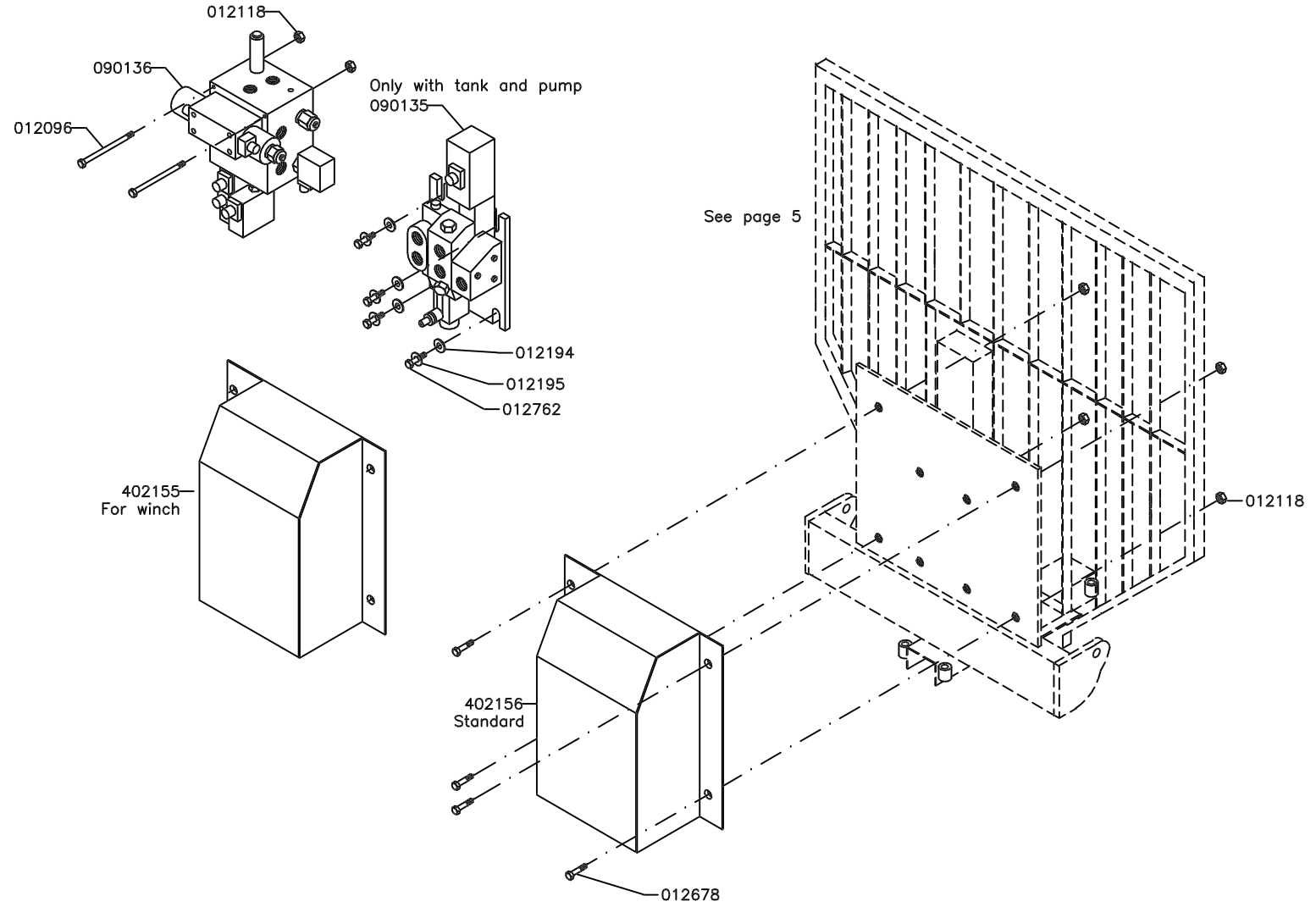
HOSE AND NIPPLE FOR HYDRAULIC ENGINE





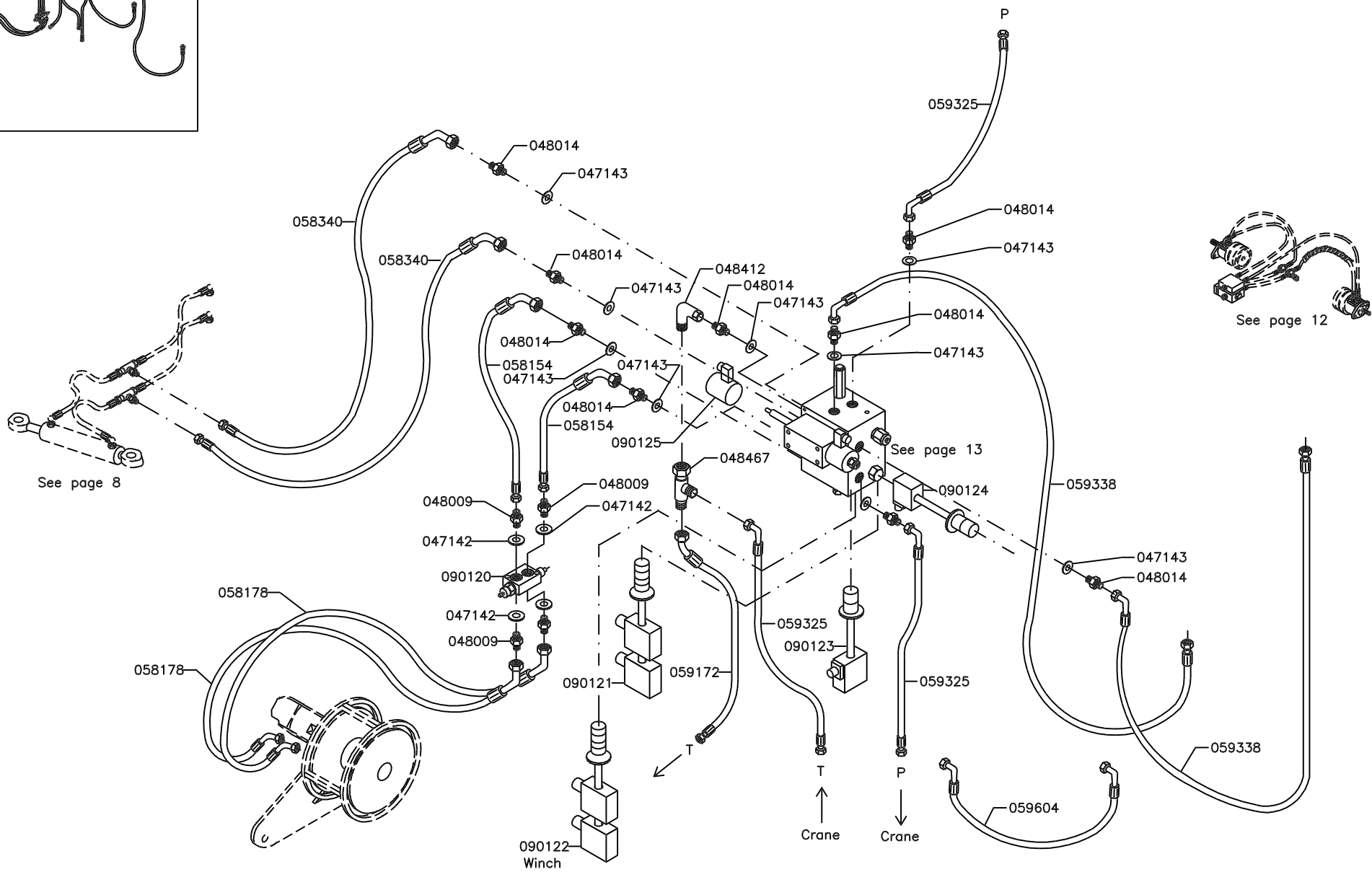
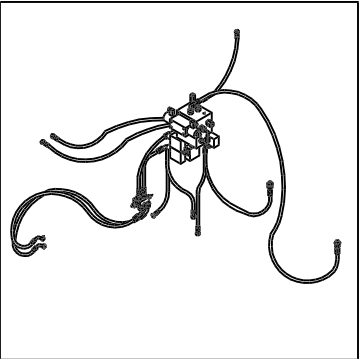
IGLAND 450 Swingtrac

VALVE FOR DRIVE

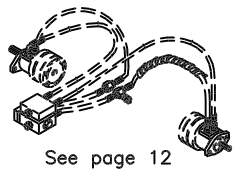


IGLAND 450 Swingtrac

HOSES



See page 8



See page 12

See page 13

090122
Winch

Crane

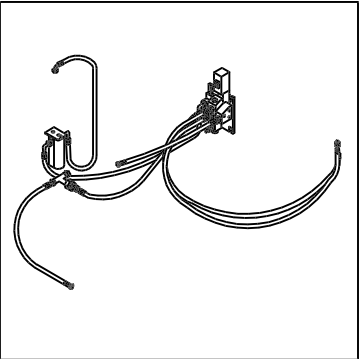
Crane

P

T

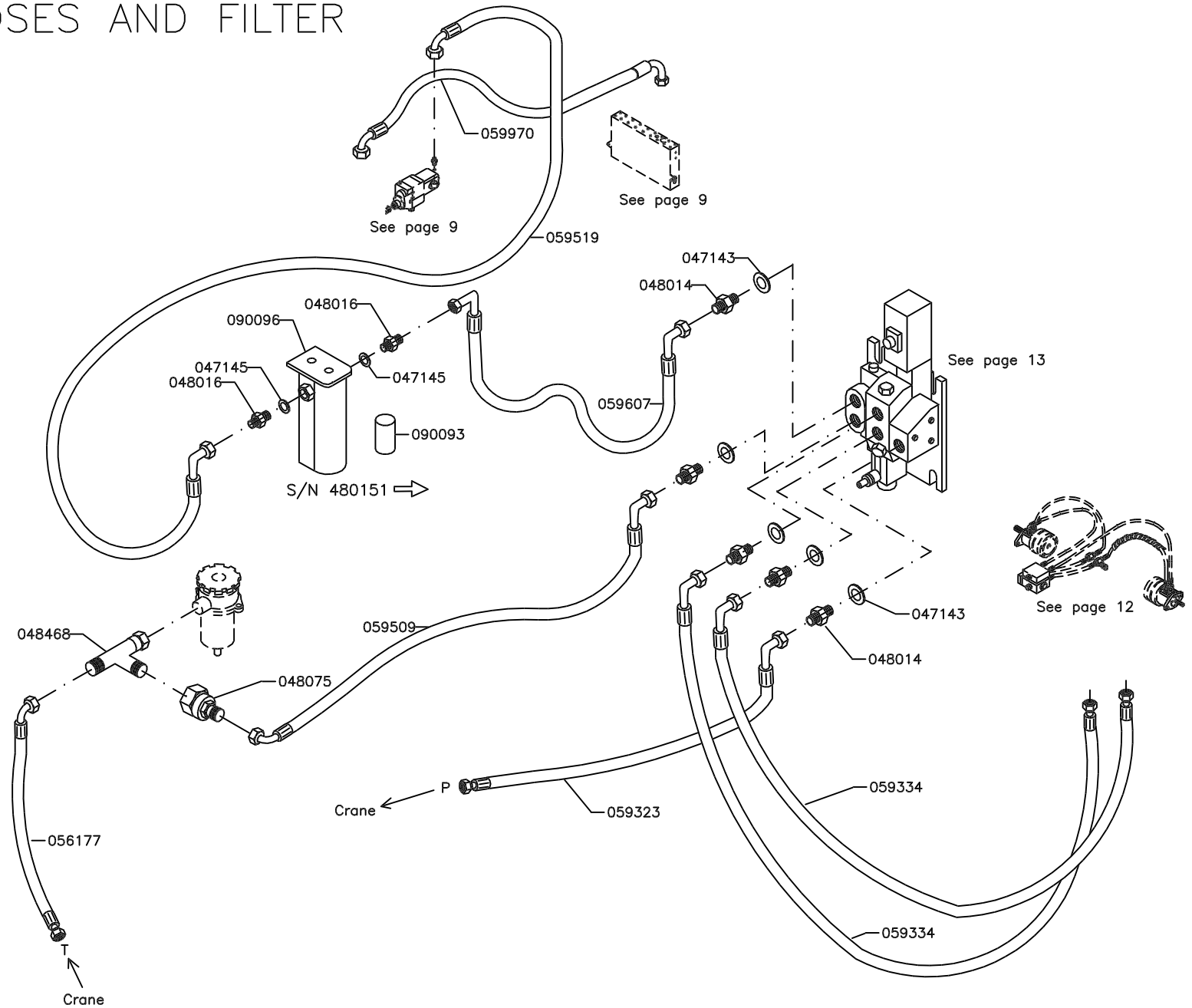
T

P



IGLAND 450 Swingtrac

HOSES AND FILTER



IGLAND 450 Swingtrac

CONTROL

